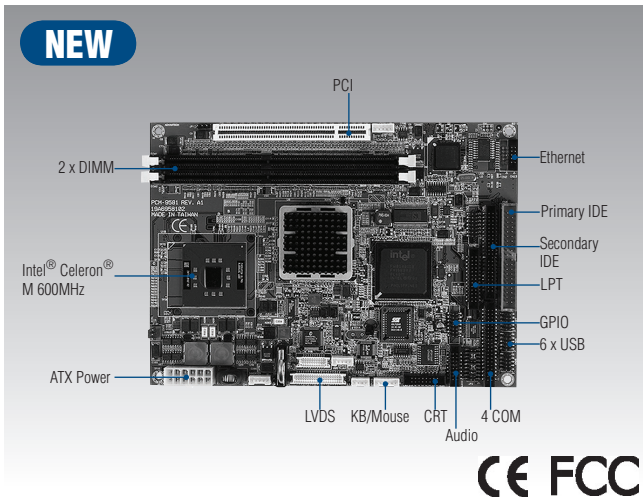


# PCM-9586

Onboard Intel® Celeron® M 600  
EBX SBC with Audio, VGA/LCD

NEW



## Features

- Embedded Intel® Celeron M 600MHz
- Applied EBX form factor standard and support PC/104-Plus bus
- Support up to 1000Base-T Ethernet
- Support 4 ports Host USB 2.0
- Support up to 2 channel 36-bit LVDS interface
- Support Enhanced Intel Speedstep® Technology

## Specifications

### General

- **CPU** Embedded Intel® Celeron® M 600MHz
- **2nd Cache Memory** 0 KB
- **System Chipset** Intel 852GM GMCH/ ICH4 Chipset
- **BIOS** AWARD 512KB Flash BIOS
- **System Memory** 2x 184 pin DIMM sockets, support ECC Double Data Rate (DDR)128 MB to 2 GB, accepts 128/256/512/1000 MB DR200/266 DRAM
- **Power Management** ATX, with Vcore 2 phase
- **SSD** Support CompactFlash Card TYPE I/II (shared 2nd IDE Channel)
- **WatchDog Timer** 255-level timer interval, from 15 sec to 14835 sec, setup by software, jumperless selection, generates system reset
- **Expansion Interface** Support a PCI2.2 with 32-bit/33 MHz slot and Mini PCI interface
- **Battery** Lithium 3 V/196 mAh

### I/O

- **I/O Interface** 2 x EIDE (UDMA 100), 1x FDD (optional), 1 x K/B, 1x Mouse, 3 x RS232, 1x RS232/422/485, 1 x LPT
- **USB** 6 USB2.0 compliant Ports
- **Audio** ICH4 chip. AC97 3D surround stereo sound Support Speaker out, CD-input, Line -in, Line-out, Microphone
- **IrDA** SIR 115Kbps, IrDA 1.1 Compliant
- **GPIO** 8-bit general purpose input/ output

### Ethernet

- **Chipset** Intel 82551ER, optional 82551QM, 82541GI (Gigabit)
- **Speed** 10/100Mbps; 10/100/1000Mbps(optional)
- **Interface** RJ45 by cable
- **Standard** IEEE 802.3u 100Base-T and IEEE 802.3z/ab 1000Base-T compatible. Built-in boot ROM in Flash BIOS (Optional)

### Display

- **Chipset** Intel 855GME chip integrated. (Extreme Graphics 2)
- **Memory Size** Optimized Shared Memory Architecture, support up to 64MB frame buffer using system memory
- **Resolution** CRT Display mode: pixel resolution up to 1600 x 1200 at 85-Hz and 2048 x 1536 at 75-Hz  
LCD Display mode: Dual channel LVDS panel support up to UXGA panel resolution with frequency range from 25 MHz to 112 MHz
- **LCD Interface** 2 Channel LVDS
- **LVDS** Hirose connector support up to 2 channel (36-bit) LVDS LCD Panel
- **TV-Out (Cable optional)** Support both NTSC/PAL, S-video and Composite Video
- **Dual Independent Display** CRT + LVDS

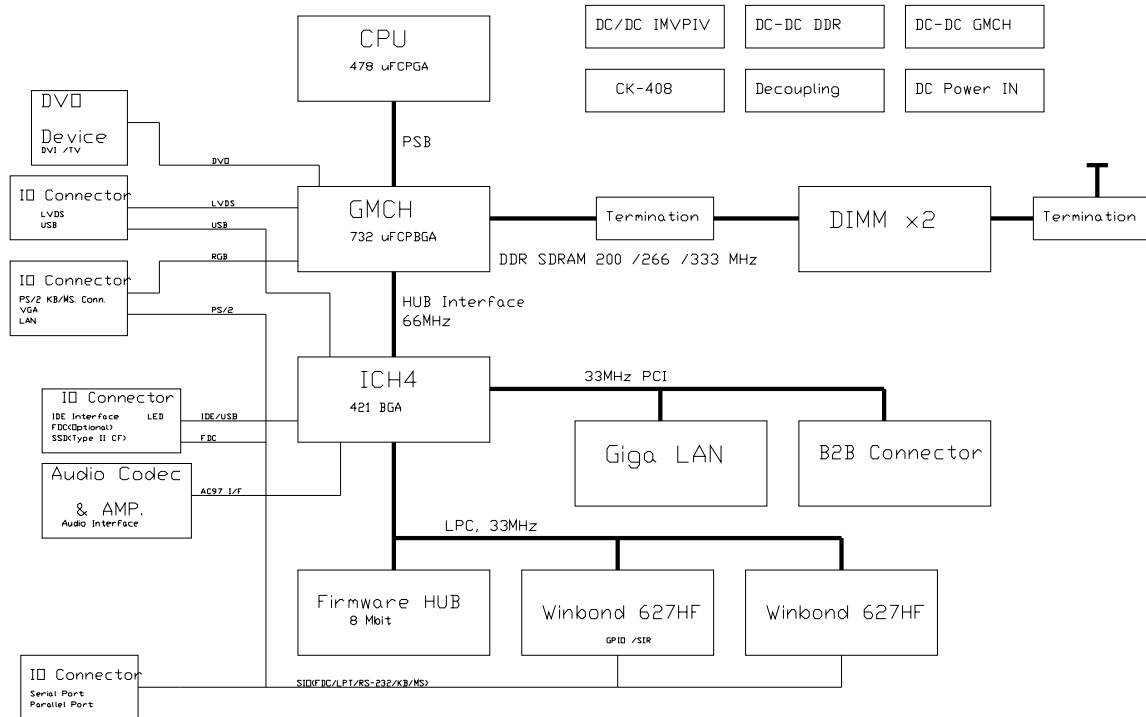
### Mechanical and Environmental

- **Dimension (LxW)** 203 mm x 146 mm (8" x 5.75")
- **Weight** 0.85 kg (weight of total package)
- **Operating Temperature** 0 ~ 60° C (32~ 140° F)
- **Operating Humidity** 0% ~ 90% relative humidity, non-condensing

### Power

- **Power Supply Voltage** +5 V ± 5%, +12 V ± 5%
- **Power Consumption** (Celeron M 600 with 256MB DDR266)  
Max: +5V@2.1A, +12V@0.22A  
Typical: +5V@1.75A, +12V@0.2A

## Board Diagram



## Packing List

- 1 x PCM-9586 SBC
- 1 x Mini Jumper Pack (p/n:9689000002)
- 1 x Startup Manual
- 1 x Utility CD
- 1 x ATX Power Cable (p/n:1700000265)

## Ordering information

### Standard

- **PCM-9586F-M0A1** Intel® Celeron® M 600M w/Audio/VGA/LCD/CFC

### Optional Accessories

- **PCM-10586-6100** Wiring kit for PCM-9586
- **CF-HDD-ADP** CompactFlash 50 pin to IDE 44-pin adapter
- **1703050306** TV-Out cable
- **1703100260** USB cable (26cm)
- **1703100121** USB cable (12cm)