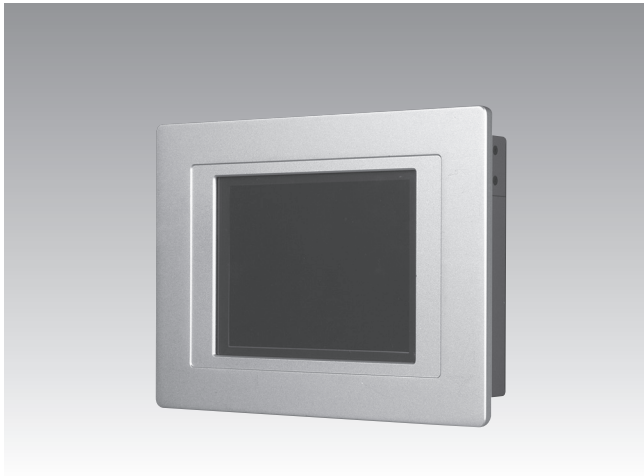


# SPC-65A

## 6.4" Facility Control Panel



### Features

- Intel XScale® PXA270 CPU and Microsoft Windows® CE 5.0
- 6.4" color TFT LCD panel and resistive touchscreen
- Compact size with COM, USB, LAN, CF, and audio interfaces
- IP65 front bezel
- Bezel-mount model, front bezel is made from aluminum, ideal for outside-in mounting
- Adobe Flash Player & Java Virtual Machine (JVM) as options

### Introduction

The SPC-65A integrates the Intel XScale PXA270 CPU and Windows CE 5.0. It is designed to provide customers with a low power, high performance embedded display platform with good networking and graphic performance. SPC-65A has a bright VGA (640 x 480) LCD screen and comes with an elegant front aluminum bezel for outside-in mounting. SPC series supports the Adobe Flash Player and Java Virtual Machine (JVM) by project base. Colorful GUIs are easy to develop using Adobe Flash and Java.

### Specifications

#### System Kernel

- **CPU** Intel PXA270 312 MHz (520 MHz as option)
- **OS** WinCE 5.0 core Eng. version
- **SDRAM** 64 MB
- **Boot Flash** 1 MB NOR flash for bootloader
- **Storage Flash** 128 MB for image and customer AP
- **WDT** PXA270 Internal
- **RTC** HT1381 backup by 65 mAh rechargeable coin battery

#### Display

- **LCD** 6.4" Primeview 18-bit TFT 640 x 480
- **Touchscreen** Resistive type
- **Graphics Chip** PXA270 internal

#### I/O

- **COM** COM1: RS-232 by DB-9 conn.  
COM2: RS-485/232/422 by phoenix conn. default is RS-485. (S/W configurable)
- **Ethernet** 1 x 10/100Base-T by RJ-45
- **USB** 1 x USB 1.1 host by type A conn.
- **SD/MMC** 1 x standard slot (support memory and I/O mode)
- **CompactFlash** 1 x type II slot (support memory and I/O mode)
- **Audio** Mic-in, line-in, line-out & speaker-out by expansion conn.
- **Expansion Conn.** 50 pin box headers with: SMBus, Mic-in, line-in, line-out, 2 wires RS-232, 1 x USB 1.1 host, 4 TTL level DI, 4 TTL level DO and 8 TTL level hotkey

#### Power

- **DC Input** 10 ~ 28 V DC with internal fuse protection via phoenix conn.
- **Power Switch** Slide type
- **Power Consumption** 6 W (normal mode w/o peripherals connected)
- **Power Management** Support normal mode and idle mode (turns off the LCD power system)

#### Mechanical

- **Material** Front bezel is aluminum, others are made from SPCC
- **Mounting** Outside-in panel mount

#### Environmental

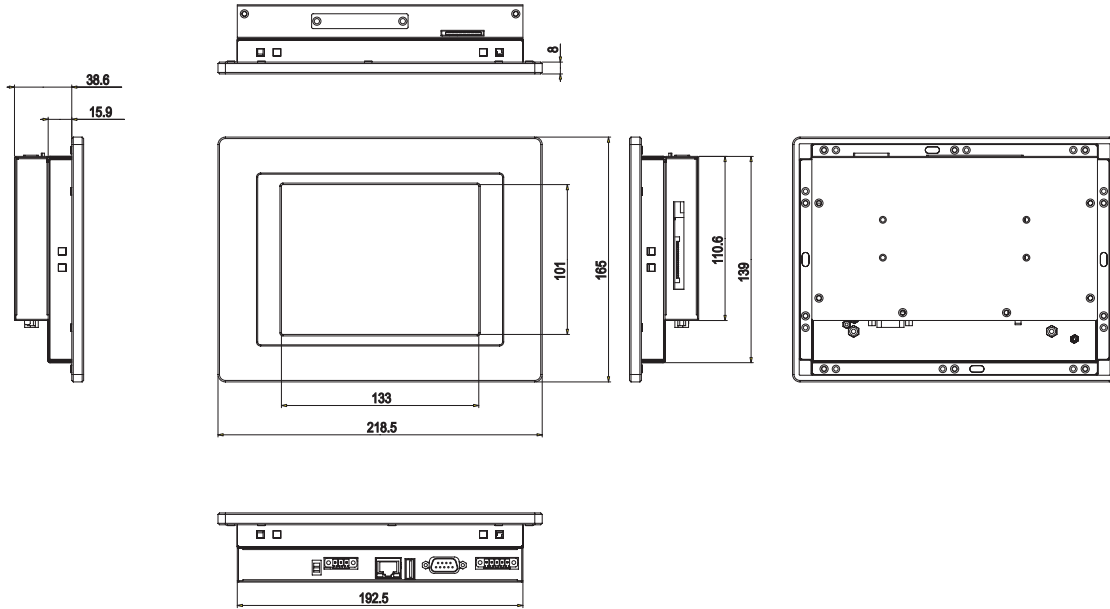
- **Operating Temp** 0 ~ 50° C
- **Storage Temp** -20 ~ 60° C
- **Water/Dust Resistance** IP65 front bezel
- **Certifications** CE/FCC/UL

#### GUI Firmware

- **Adobe Flash Player 7.0 support (project base)**
- **Java Virtual Machine support (project base)**

## Dimensions

Unit: mm



## Packing List

- SPC-65A
- Windows CE 5.0 end user license agreement (Windows CE 5.0 version)
- CD-ROM
  - 1) Readme.txt, User Manual, and Datasheet
  - 2) Upgrade utility
  - 3) Windows CE platforms SDK (Windows CE 5.0)
- Warranty Card
- 3-pin power connector

## Ordering Information

- **SPC-65A-347CE1E** Intel XScale PXA270 312 MHz CPU, Win CE 5.0 pre-installed with 6.4" color TFT LCD, resistive touchscreen and aluminum front bezel
- **SPC-POWERSET** 60 W power adapter with 3-pin power connector (Doesn't include a power cord; customers must purchase a power cord separately)

## I/O Diagram

