

AIMB-762

LGA775 Pentium® D/Pentium 4/Celeron® D Processor-based ATX with DDR2/PCIe/Dual GbE LAN

NEW



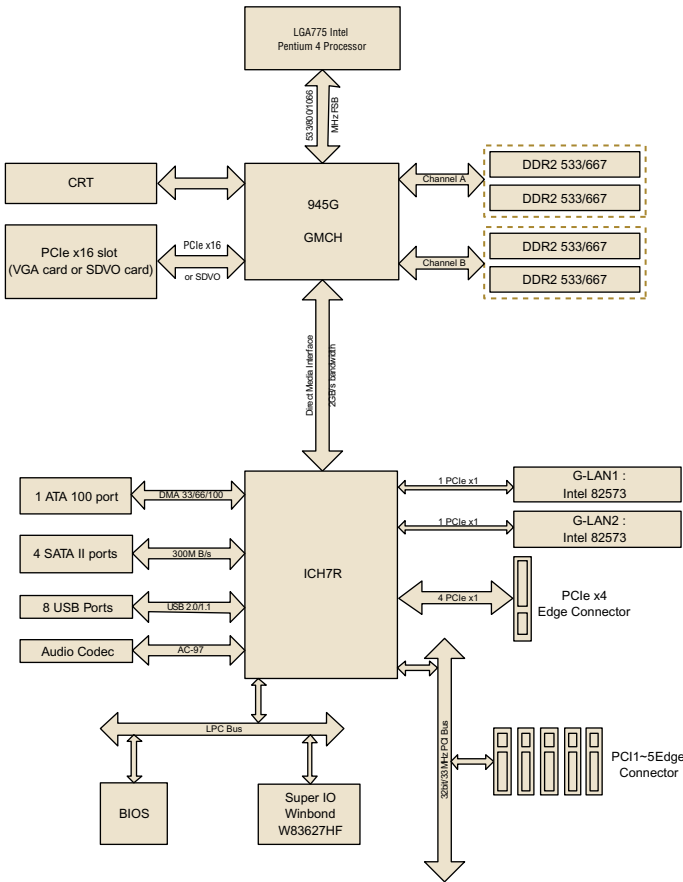
Features

- Intel® 945G chipset 800 MHz FSB
- Dual channel DDR2 533/667 SDRAM up to 4 GB
- Chipset integrated VGA sharing 224 MB system memory
- PCIe x16 slot for VGA card
- Four SATA II ports with 300 MB transfer rate and (software RAID 0, 1, 10, 5)
- Supports dual 10/100/1000Base-T Ethernet via dedicated PCIe x 1 bus
- Compatible with Advantech's 2U, 4U, 5U and 7U Chassis

Specifications

Processor System	CPU	Intel Pentium® D	Intel Pentium 4	Intel Celeron D
	Max. Speed	3.2 GHz (Dual-core)	3.8 GHz	3.06 GHz
	L2 Cache	2 MB x2/1 MB x2	2 MB/1 MB	512 KB/256 KB
	Chipset	Intel 945G + ICH7R		
	BIOS	Award 8 Mb FWH		
	Front Side Bus	533/800 MHz		
Expansion Slot	PCIe x16	4.0 GB/s per direction, 1 slot		
	PCIe x4	1.0 GB/s per direction, 1 slot		
	PCI	32-bit/33MHz, 5 slots		
Memory	Technology	Dual channel DDR2 533/667 MHz		
	Max. Capacity	4 GB		
	Socket	240-pin DIMM x 4		
Graphic	Embedded	Chipset integrated VGA controller sharing 224 MB system memory		
	Add-on	PCIe x16 slot		
Ethernet	Interface	10/100/1000 Base-T		
	Controller	G-LAN1: Intel 82573 G-LAN2: Intel 82573 (2 PCIe x1)		
	Connector	RJ45 with LED connector x 2		
SATA II	Max. Data Transfer Rate	300 MB/s		
	Channel	4 (Supporting S/W RAID 0, 1, 10, 5)		
EIDE	Mode	ATA 100/66/33		
	Channel	1 (Max. 2 devices)		
I/O Interface	VGA	1		
	USB	Max. 8 (USB 2.0 compliant), 4 ports on board		
	Audio	2 (LINE-Out and MIC-In)		
	Serial	2 (1 of RS-232/422/485, 1 of RS-232)		
	Parallel	1 (SPP/EPP/ECP)		
	FDD	1		
	PS/2	2		
	GPIO	1 8-pin connector (4 of GPI, 4 of GPO)		
Watchdog Timer	Output	Interrupt, system reset		
	Interval	Programmable 1 ~ 255 sec		
Power Requirement	Typical	Pentium D 3.2 GHz (800 MHz FSB), 4 x 1 GB DDR2 667 SDRAM		
		+5 V	+3.3 V	+12 V
		3.10 A	1.54 A	9.90 A
Environment		Operating		Non-Operating
	Temperature	0 ~ 60 °C (32 ~ 140 °F), depends on CPU's speed and cooler solution.		-20 ~ 70 °C (-40 ~ 158 °F)
Physical Characteristics	Dimensions (W x D)	304.8 x 244 mm (12" x 9.6")		

Block Diagram



Ordering Information

Part Number	Embedded VGA	PCIe x16 for VGA	Gigabit LAN
AIMB-762VG-00A1	Yes	Yes	Single
AIMB-762G2-00A1	Yes	Yes	Dual

Packing List

Part Number	Description	Quantity
1700340640	FDD cable	X 1
1701400452	IDE HDD cable	X 2
1700071000	Serial ATA HDD data cable	X 2
1703150102	Serial ATA HDD power cable	X 2
170304015K	ATX 12V power converter cable	X 1
1701090401	COM port cable kit	X 1
9689000068	Jumper pack	X 1
1960004027	I/O port bracket	X 1
-	Startup manual	X 1
-	Utility CD	X 1

Bracket View



AIMB-762VG-00A1



AIMB-762G2-00A1

Accessories

Part Number	Description
1750000334	LGA775 CPU cooler up to 3.8 GHz (115 W), 4U, 5U and 7U chassis
1750000332	LGA775 CPU cooler up to 3.8 GHz (115 W), 2U, 4U, 5U and 7U chassis