

# User Manual

## APAX-5000 Series

### I/O Modules

**ADVANTECH**

*eAutomation*

---

## Copyright

The documentation and the software included with this product are copyrighted 2008 by Advantech Co., Ltd. All rights are reserved. Advantech Co., Ltd. reserves the right to make improvements in the products described in this manual at any time without notice. No part of this manual may be reproduced, copied, translated or transmitted in any form or by any means without the prior written permission of Advantech Co., Ltd. Information provided in this manual is intended to be accurate and reliable. However, Advantech Co., Ltd. assumes no responsibility for its use, nor for any infringements of the rights of third parties, which may result from its use.

## Acknowledgements

Intel and Pentium are trademarks of Intel Corporation.

Microsoft Windows and MS-DOS are registered trademarks of Microsoft Corp.

All other product names or trademarks are properties of their respective owners.

## Product Warranty (2 years)

Advantech warrants to you, the original purchaser, that each of its products will be free from defects in materials and workmanship for two years from the date of purchase.

This warranty does not apply to any products which have been repaired or altered by persons other than repair personnel authorized by Advantech, or which have been subject to misuse, abuse, accident or improper installation. Advantech assumes no liability under the terms of this warranty as a consequence of such events.

Because of Advantech's high quality-control standards and rigorous testing, most of our customers never need to use our repair service. If an Advantech product is defective, it will be repaired or replaced at no charge during the warranty period. For out-of-warranty repairs, you will be billed according to the cost of replacement materials, service time and freight. Please consult your dealer for more details.

If you think you have a defective product, follow these steps:

1. Collect all the information about the problem encountered. (For example, CPU speed, Advantech products used, other hardware and software used, etc.) Note anything abnormal and list any onscreen messages you get when the problem occurs.
2. Call your dealer and describe the problem. Please have your manual, product, and any helpful information readily available.
3. If your product is diagnosed as defective, obtain an RMA (return merchandise authorization) number from your dealer. This allows us to process your return more quickly.
4. Carefully pack the defective product, a fully-completed Repair and Replacement Order Card and a photocopy proof of purchase date (such as your sales receipt) in a shippable container. A product returned without proof of the purchase date is not eligible for warranty service.
5. Write the RMA number visibly on the outside of the package and ship it prepaid to your dealer.

Part No. XXXXXXXXXXXX

Printed in Taiwan

Edition 1

September 2009

# Declaration of Conformity

## CE

This product has passed the CE test for environmental specifications when shielded cables are used for external wiring. We recommend the use of shielded cables. This kind of cable is available from Advantech. Please contact your local supplier for ordering information.

## FCC Class A

Note: This equipment has been tested and found to comply with the limits for a Class A digital device, pursuant to part 15 of the FCC Rules. These limits are designed to provide reasonable protection against harmful interference when the equipment is operated in a commercial environment. This equipment generates, uses, and can radiate radio frequency energy and, if not installed and used in accordance with the instruction manual, may cause harmful interference to radio communications. Operation of this equipment in a residential area is likely to cause harmful interference in which case the user will be required to correct the interference at his own expense.

## FM

This equipment has passed the FM certification. According to the National Fire Protection Association, work sites are classified into different classes, divisions and groups, based on hazard considerations. This equipment is compliant with the specifications of Class I, Division 2, Groups A, B, C and D indoor hazards.

# Technical Support and Assistance

1. Visit the Advantech web site at [www.advantech.com/support](http://www.advantech.com/support) where you can find the latest information about the product.
2. Contact your distributor, sales representative, or Advantech's customer service center for technical support if you need additional assistance. Please have the following information ready before you call:
  - Product name and serial number
  - Description of your peripheral attachments
  - Description of your software (OS, version, application software, etc.)
  - A complete description of the problem
  - The exact wording of any error messages

# Safety Precaution - Static Electricity

Follow these simple precautions to protect yourself from harm and the products from damage.

- To avoid electrical shock, always disconnect the power from your PC chassis before you work on it. Don't touch any components on the CPU card or other cards while the PC is on.

Disconnect power before making any configuration changes. The sudden rush of power as you connect a jumper or install a card may damage sensitive electronic components.

---

## Safety Instructions

1. Read these safety instructions carefully.
2. Keep this User Manual for later reference.
3. Disconnect this equipment from any AC outlet before cleaning. Use a damp cloth. Do not use liquid or spray detergents for cleaning.
4. For plug-in equipment, the power outlet socket must be located near the equipment and must be easily accessible.
5. Keep this equipment away from humidity.
6. Put this equipment on a reliable surface during installation. Dropping it or letting it fall may cause damage.
7. The openings on the enclosure are for air convection. Protect the equipment from overheating. **DO NOT COVER THE OPENINGS.**
8. Make sure the voltage of the power source is correct before connecting the equipment to the power outlet.
9. Position the power cord so that people cannot step on it. Do not place anything over the power cord.
10. All cautions and warnings on the equipment should be noted.
11. If the equipment is not used for a long time, disconnect it from the power source to avoid damage by transient overvoltage.
12. Never pour any liquid into an opening. This may cause fire or electrical shock.
13. Never open the equipment. For safety reasons, the equipment should be opened only by qualified service personnel.
14. If one of the following situations arises, get the equipment checked by service personnel:
  15. The power cord or plug is damaged.
  16. Liquid has penetrated into the equipment.
  17. The equipment has been exposed to moisture.
  18. The equipment does not work well, or you cannot get it to work according to the user's manual.
  19. The equipment has been dropped and damaged.
  20. The equipment has obvious signs of breakage.
21. **DO NOT LEAVE THIS EQUIPMENT IN AN ENVIRONMENT WHERE THE STORAGE TEMPERATURE MAY GO BELOW -20° C (-4° F) OR ABOVE 60° C (140° F). THIS COULD DAMAGE THE EQUIPMENT. THE EQUIPMENT SHOULD BE IN A CONTROLLED ENVIRONMENT.**
22. **CAUTION: DANGER OF EXPLOSION IF BATTERY IS INCORRECTLY REPLACED. REPLACE ONLY WITH THE SAME OR EQUIVALENT TYPE RECOMMENDED BY THE MANUFACTURER, DISCARD USED BATTERIES ACCORDING TO THE MANUFACTURER'S INSTRUCTIONS.**
23. The sound pressure level at the operator's position according to IEC 704-1:1982 is no more than 70 dB (A).

**DISCLAIMER:** This set of instructions is given according to IEC 704-1. Advantech disclaims all responsibility for the accuracy of any statements contained herein.

<b>Chapter 1</b>	<b>Overview</b>	<b>1</b>
1.1	Introduction	2
	Table 1.1: Supported I/O Module List	2
1.2	I/O Wiring	3
1.3	Removing the I/O Terminal	4
1.4	Labeling the Terminal	5
1.5	Jumper Settings	6
1.6	ID Switch Setting	7
1.7	Mechanical Assembly and Power Connection	9
	1.7.1 Wiring Power Input to the Backplane	9
	1.7.2 Using the APAX-5343E Power Supply Module	13
1.8	Decommission and Disposal	16
1.9	Mounting	17
	1.9.1 DIN-rail Mounting	17
	1.9.2 Wall (Panel) Mounting	19
<b>Chapter 2</b>	<b>Analog Input/Output Modules</b>	<b>25</b>
2.1	Analog Input Modules	26
2.1.1	APAX-5013 8-ch RTD Module	26
	Figure 2.1 APAX-5013 Module Front View	26
	Figure 2.2 Wiring for APAX-5013	27
2.1.2	APAX-5017 12-ch Analog Input Module	28
	Figure 2.3 APAX-5017 Module Front View	28
	Figure 2.4 Wiring for APAX-5017	28
2.1.3	APAX-5017H 12-ch High Speed Analog Input Module	31
	Figure 2.5 APAX-5017H Module Front View	31
	Figure 2.6 Wiring for APAX-5017H	31
2.1.4	APAX-5018 12-ch Thermocouple Input Module	34
	Figure 2.7 APAX-5018 Module Front View	34
	Figure 2.8 Wiring for APAX-5018	34
2.2	Analog Output Modules	38
2.2.1	APAX-5028 8-ch Analog Output Module	38
	Figure 2.9 APAX-5028 Module Frontal View	38
	Figure 2.10 Wiring for APAX-5028	39
2.2.2	APAX-5028 Specifications	40
<b>Chapter 3</b>	<b>Digital Input/Output Modules</b>	<b>41</b>
3.1	Digital Input/Output Modules	42
3.1.1	APAX-5040 24-ch Digital Input Module	42
	Figure 3.1 APAX-5040 Module Front View	42
	Figure 3.2 Wiring for APAX-5040	42
3.1.2	APAX-5045 24-ch Digital Input/Output Module	44
	Figure 3.3 APAX-5045 Module Frontal View	44
	Figure 3.4 Wiring for APAX-5045	45
3.1.3	APAX-5046 24-ch Digital Output Module	47
	Figure 3.5 APAX-5046 Module Front View	47
	Figure 3.6 Wiring for APAX-5046	47
3.2	Relay Output Modules	49
3.2.1	APAX-5060 12-ch Relay Output Module	49
	Figure 3.7 APAX-5060 Module Frontal View	49
	Figure 3.8 Wiring for APAX-5060	50
<b>Chapter 4</b>	<b>Backplane Modules</b>	<b>53</b>

---

4.1	APAX-5002 2-slot Backplane Module.....	54
4.2	APAX-5001 1-slot Backplane Module.....	55

**Chapter 5 Error Handling and Diagnostics ..... 57**

5.1	Error Handling and Diagnostics .....	58
-----	--------------------------------------	----

# Chapter 1

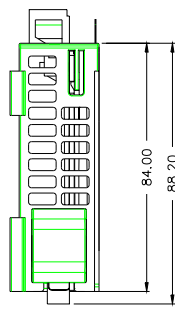
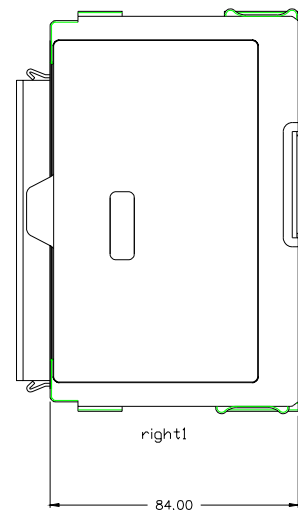
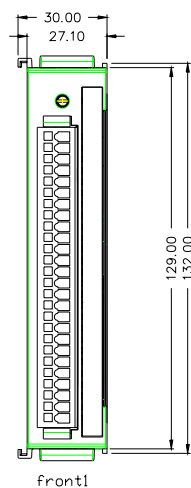
Overview

## 1.1 Introduction

This manual will discuss the specifications, functions and application wiring of the APAX-5000 series of I/O modules. Advantech provides different APAX-5000 I/O modules for various applications. The following table outlines Advantech's supported I/O modules.

**Table 1.1: Supported I/O Module List**

Module	Name	Specifications
Analog I/O	APAX-5013	8-ch RTD Module
	APAX-5017	12-ch Analog Input Module
	APAX-5018	12-ch Thermocouple Input Module
	APAX-5017H	12-ch High Speed Analog Input Module
	APAX-5028	8-ch Analog Output Module
Digital I/O	APAX-5040	24-ch Digital Input Module
	APAX-5045	24-ch Digital Input/Output Module
	APAX-5046	24-ch Digital Output Module
Relay Output	APAX-5060	12-ch Relay Output Module



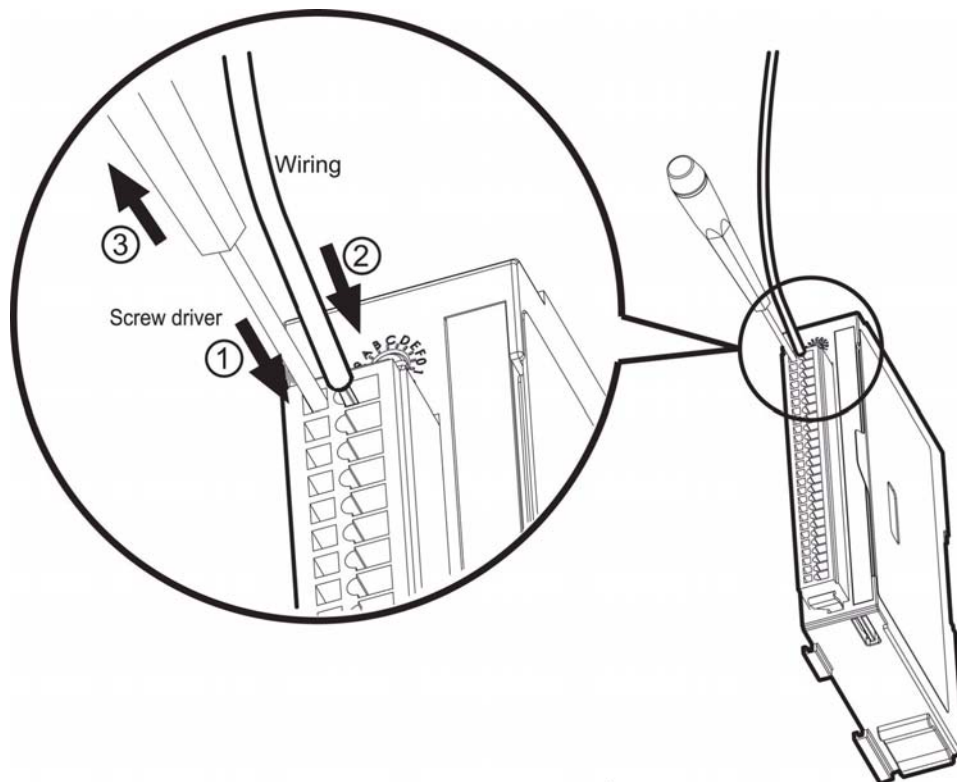


## 1.2 I/O Wiring

APAX-5000 I/O modules leverage detachable clamp type terminal blocks. Comparing with traditional screw type terminal blocks, clamp type terminal blocks can save up to 75% wiring time and provide better reliability for shock and vibration. Follow the procedures below for wiring your APAX-5000 I/O module.

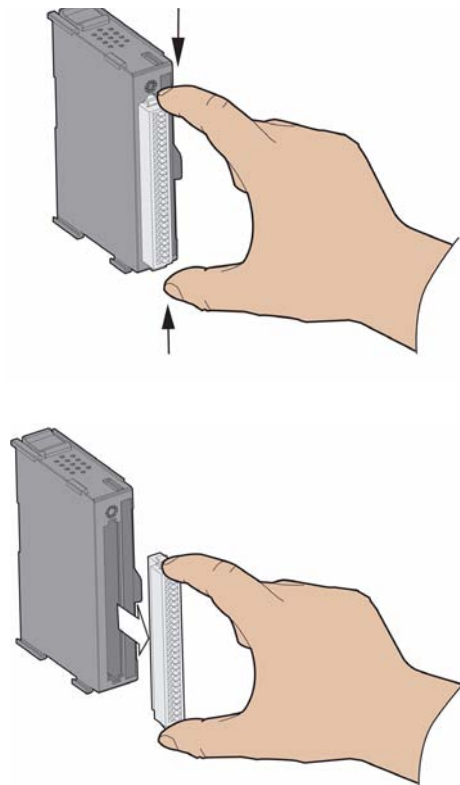
1. Insert the screw driver into the left hole of the terminal.
2. Insert the wiring into the right hole of the terminal.

**Note!** Please use # 14 AWG ~ 28 AWG wire for terminal block.



## 1.3 Removing the I/O Terminal

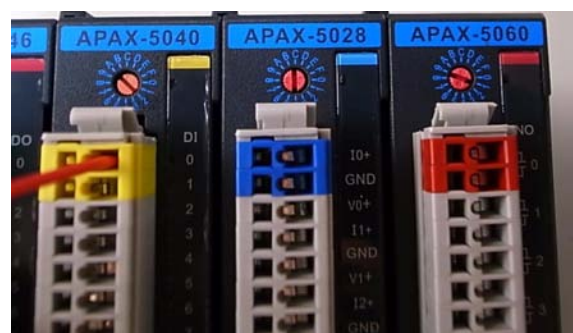
APAX-5000 I/O modules provide detachable terminal blocks that are convenient when wiring needs to be changed, because the terminal block can be removed and the module doesn't need to be. Refer to the figures below to remove the terminal block.



**Warning!** *APAX-5000 I/O modules can be categorized into four categories: AI, AO, DI and DO. If you insert a terminal block into a module which has a different function, it might damage the modules (for example, inserting a DO terminal block on DI module). In order to prevent this, APAX-5000 modules color the terminal block and label on the front side. Remember to match the terminal block with the module as below.*

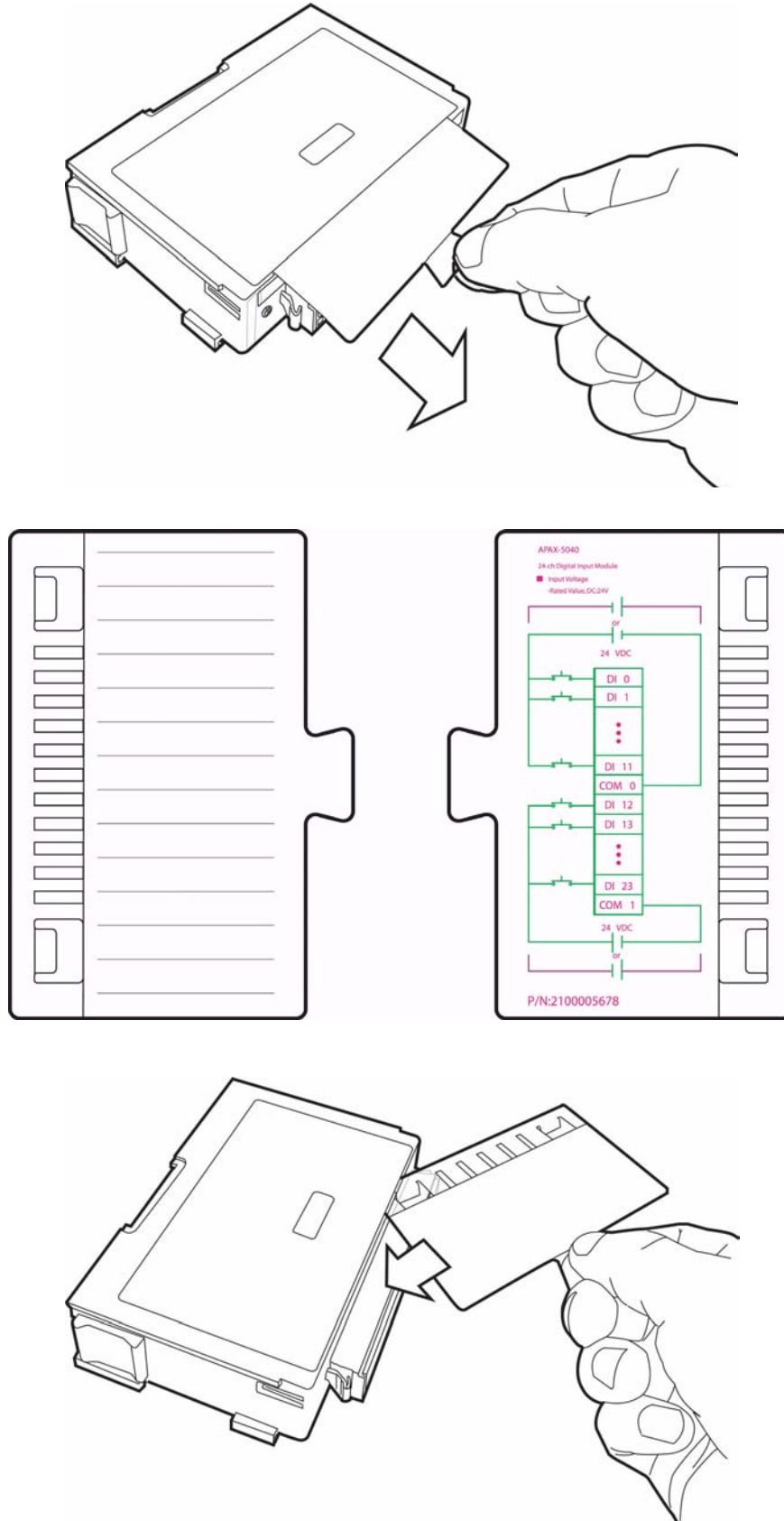


Function	Color
Analog Input	Green
Analog Output	Blue
Digital Input	Yellow
Digital Output	Red



## 1.4 Labeling the Terminal

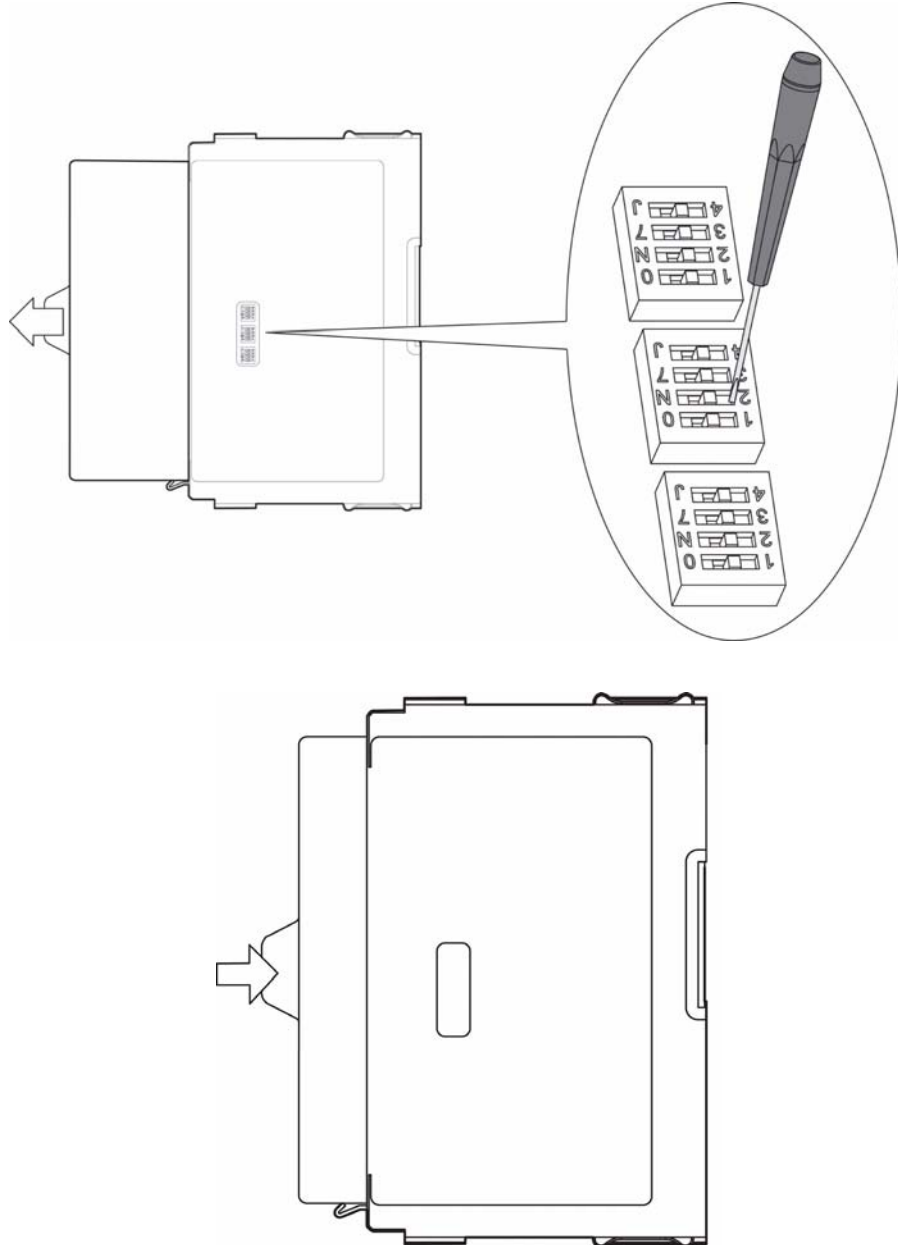
Advantech provides write-on labels for each APAX-5000 I/O module. This write-on label has two sides, one with the model name, specifications and a wiring diagram, while the other side allows users to write information in by themselves. Refer to the figures below for the write-on label details.



## 1.5 Jumper Settings

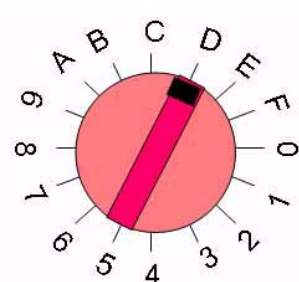
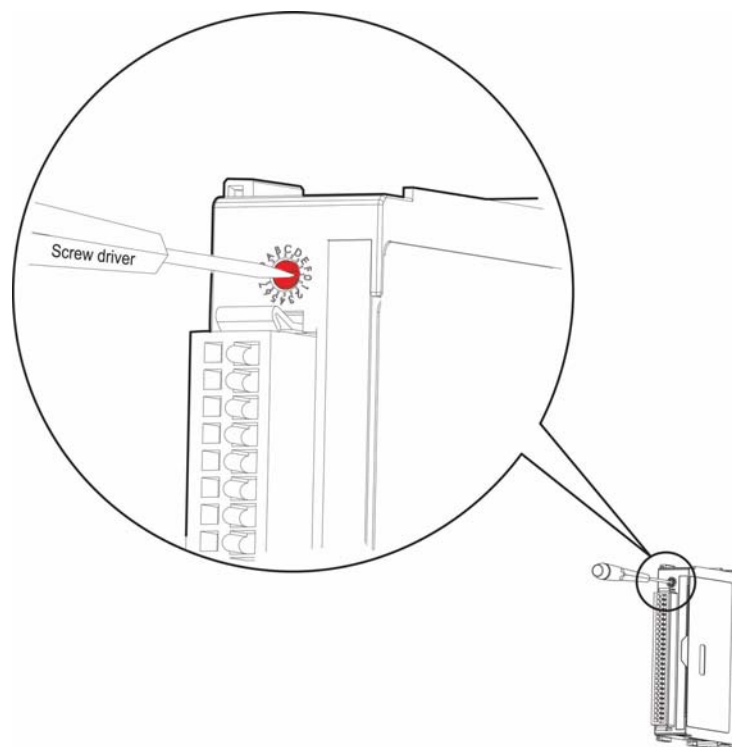
Some I/O modules need to be configured manually through the onboard jumpers. This section will show you how to adjust the jumper settings.

1. Pull out the write-on label and you can see the location of the jumper.
2. You can use the screw driver to adjust the jumper setting.
3. Once the jumper setting is done, slide the write-on label back to its position.

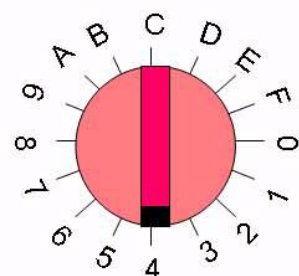


## 1.6 ID Switch Setting

The controller identifies each APAX-5000 I/O module through the ID number. Therefore, you need to set ID number for each I/O module by the rotary ID switch on the front side. Rotate that ID switch and point the hole on the central axis to corresponding ID number ("0" ~ "F"). Refer to figures below for the location of the rotary ID switch and how to set the ID number by the rotary ID switch.



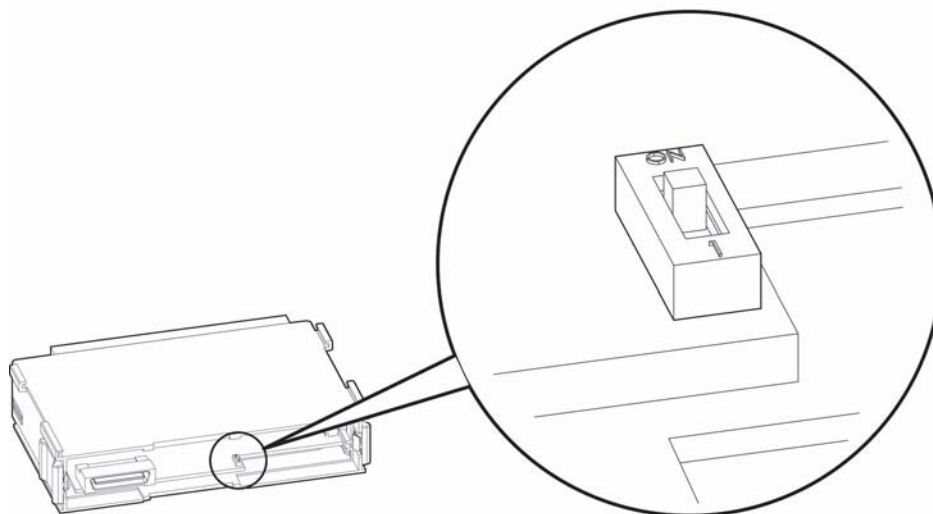
The ID for I/O module is "D"

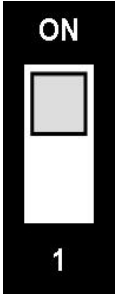
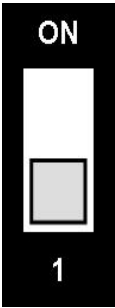


The ID for I/O module is "4"

From the figures above, you can choose ID number 0 ~ 15 from the rotary ID switch ("0" ~ "F"). Therefore, the maximum number for analog module in one system is 16. For digital modules, there is another ID switch on the PCB that it can double the available ID number. Thus, the maximum number for digital module in one system is 32.

You can distinguish if the ID number is doubled by the front LED. When the LED color is green, only 0 ~ 15 ID number is used (0 ~ 15 according to the rotary ID switch). Once the LED color is orange, the ID number is doubled (16~31 according to the rotary ID switch). Refer to figure below for its location and how to configure it.



DIP Switch Setting	ID	LED Color
	16 ~ 31 according to the rotary ID switch	Orange
	0 ~ 15 according to the rotary ID switch	Green

**Warning!** *Avoid two modules with the same ID number in the same system, or you cannot see the module in the software utility. The LED on the front side will flash four times if two or more modules have the same ID number in one system. If this happens, simply change the ID number for these conflicted modules and all of them can be found in utility again.*



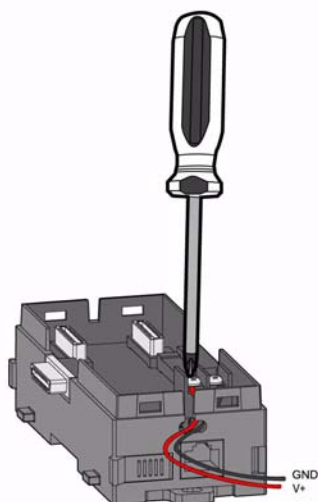
## 1.7 Mechanical Assembly and Power Connection

### 1.7.1 Wiring Power Input to the Backplane

There are two ways that APAX-5000 I/O modules can be powered. One is to connect the DC power supply wire directly to the power connector on the backplane. Another way is using APAX-5343E power supply module.

When you wire the power supply to the backplane, the power is transferred between backplanes, and provides to all APAX-5000 I/O modules inserted on the backplanes. Refer to figures below for how to wiring the power to the backplane, and how to assembly APAX-5000 I/O modules with backplanes:

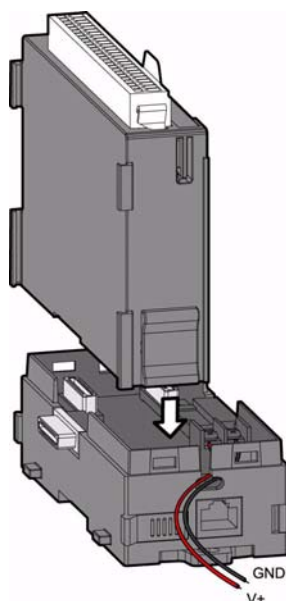
1. Connect the power supply wire to the power connectors on the 2-slot APAX-5002 backplane module.



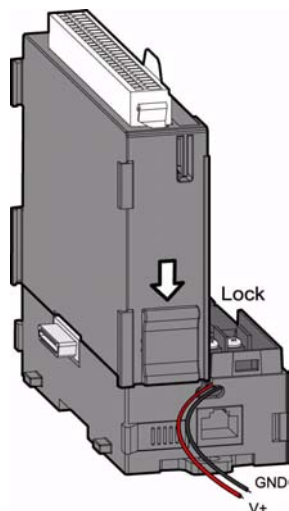
**Warning!** *If you use APAX-5000 digital modules in the same system, use different power supplies for the system and the the digital channels on the modules to ensure isolation protection between digital channels and system.*



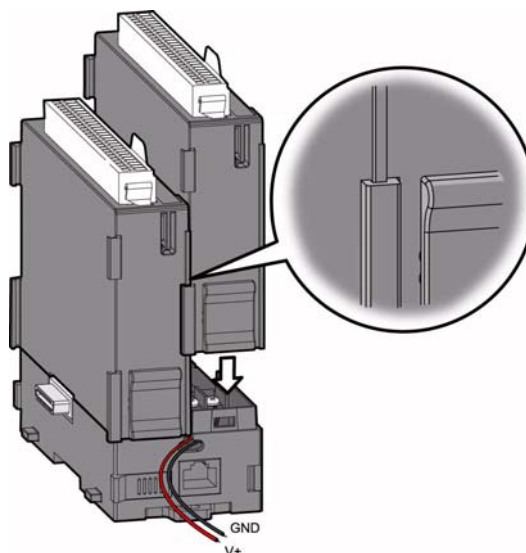
2. Insert one APAX-5000 I/O module on that APAX-5002 backplane module.



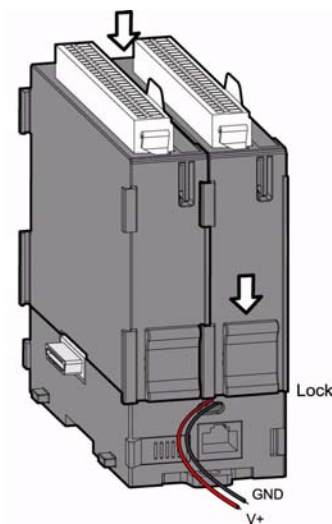
3. Lock that APAX-5000 I/O module to the APAX-5002 backplane by pulling down the module locks.



4. Insert another APAX-5000 I/O module on the same APAX-5002 backplane. Use tongue-and-groove slots to move the module.

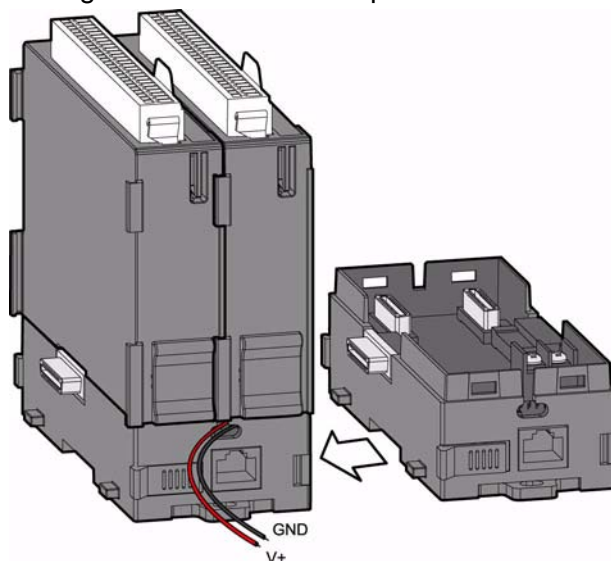


5. Lock that APAX-5000 I/O module to the APAX-5002 backplane by pulling down the module locks.





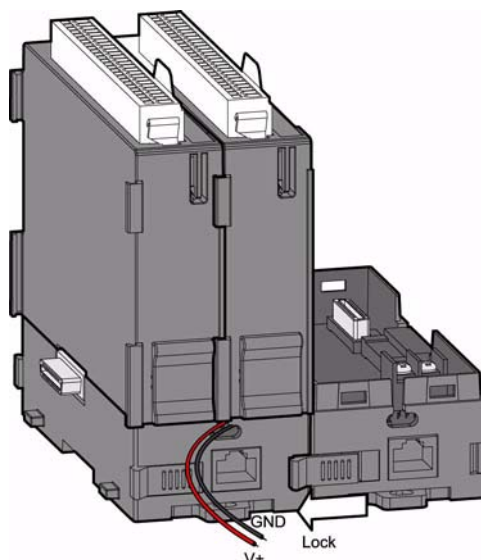
6. If you need more than one APAX-5000 I/O module, stack another APAX-5002 backplane to the original APAX-5002 backplane.



**Warning!** When you assembly different backplanes together, remember to turn off the power connected to the backplane. If not, the backplanes may be damaged. Turn on the power again after you complete the assembly for all backplanes.



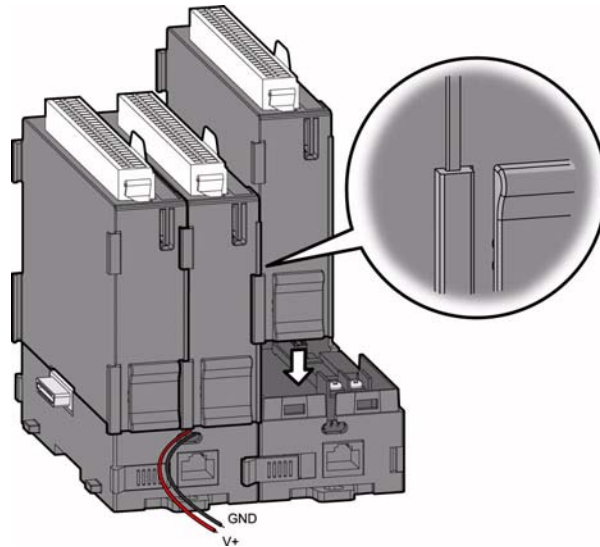
7. Lock the stacked APAX-5002 backplane to the original APAX-5002 backplane by the backplane locks.



**Note!** If you want to provide more power to the system, you can connect another power supply wire to the power connections on the second APAX-5002 backplane. (The wiring procedure is the same as step 1)



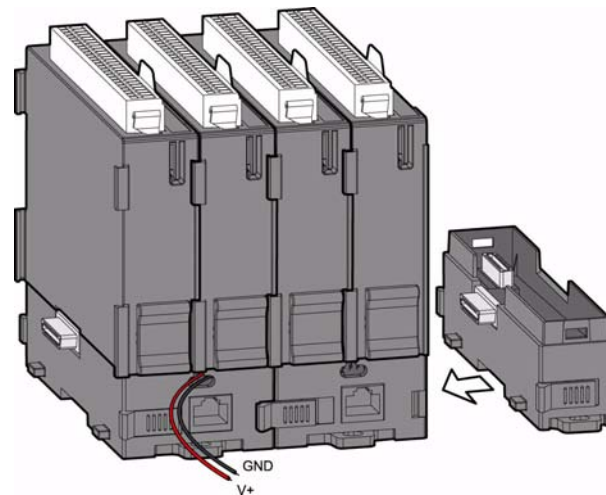
8. Insert another APAX-5000 I/O module on the second APAX-5002 backplane.

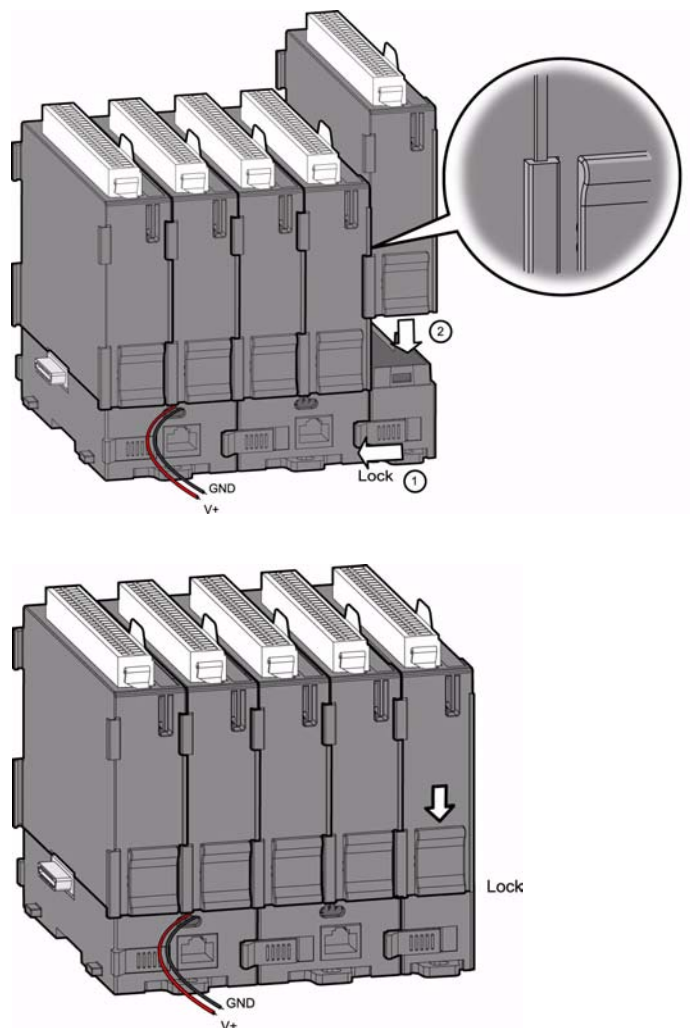


9. Lock that APAX-5000 I/O module to the second APAX-5002 backplane by pull down the module locks, similar as step 5.
10. If needed, repeat step 8 ~ 9 to have another APAX-5000 I/O module on the same APAX-5002 backplane.

If you need more APAX-5000 I/O module, repeat Step 6 ~ Step 10 until all necessary APAX-5000 I/O modules are inserted on the backplanes.

When the total number of APAX-5520 and APAX-5000 I/O modules is odd, you can use 1-slot APAX-5001 backplane module as the last backplane in the system.





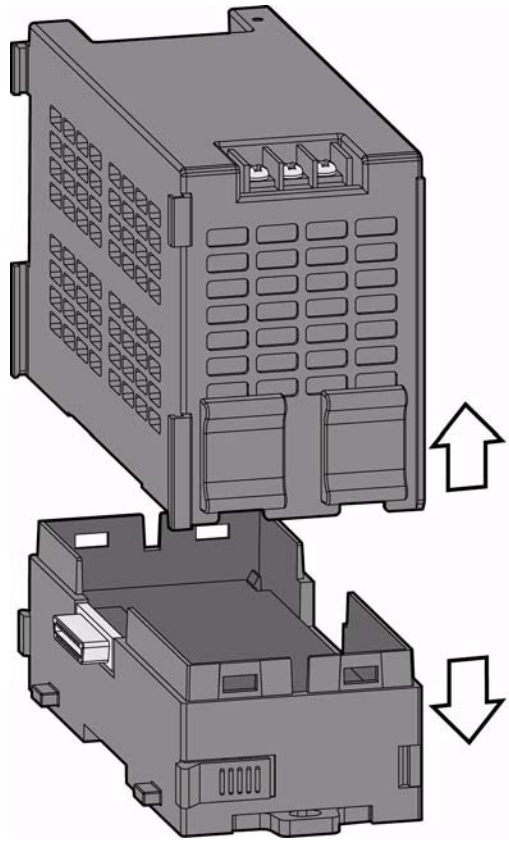
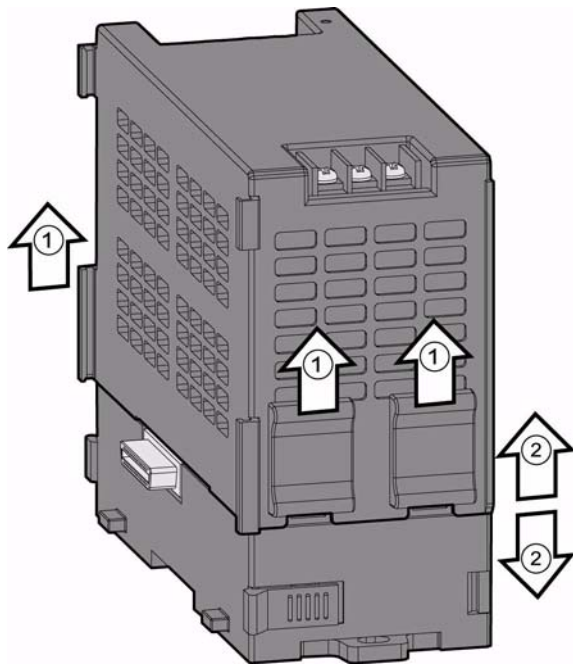
## 1.7.2 Using the APAX-5343E Power Supply Module

APAX-5000 I/O modules can also be powered by the APAX-5343E power supply module, connected to the left side of the whole system. The power can be transferred to APAX-5000 I/O modules through the backplanes.

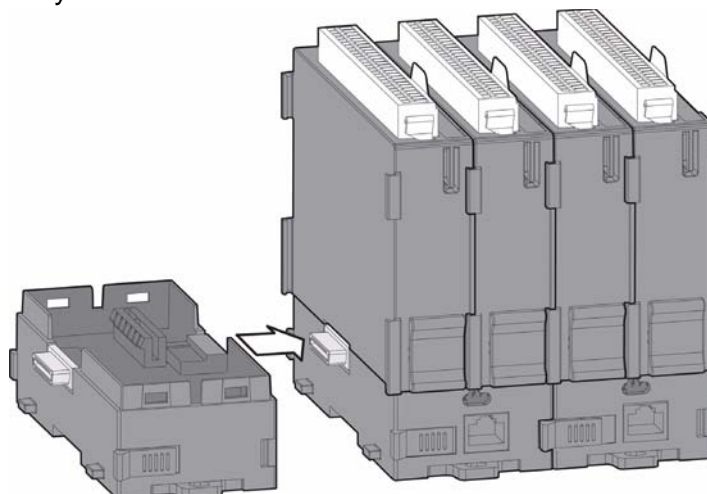
**Note!** Refer to *APAX-5520 Hardware Manual* for APAX-5343E specification.



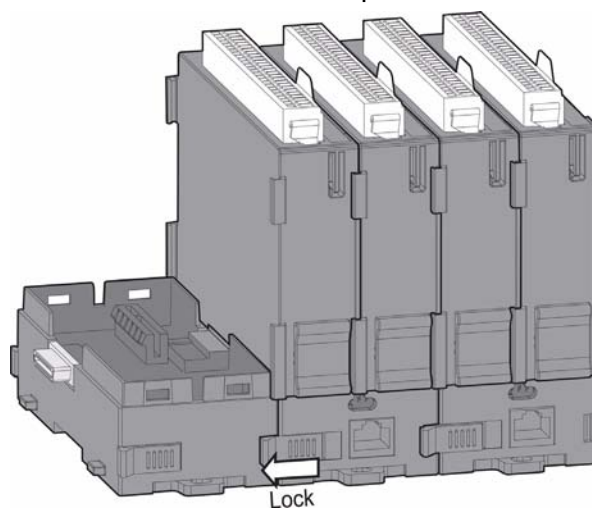
1. Follow the procedure described in Section 1.7.1 to assembly APAX-5000 I/O modules into one complete system. The only difference is that you don't need to connect the power supply wiring to the power connectors on the backplane (step 1 in Section 1.7.1).
2. Pull up the module locks on the upper case of one APAX-5343E. Then you can separate the upper case of APAX-5343E from its backplane.



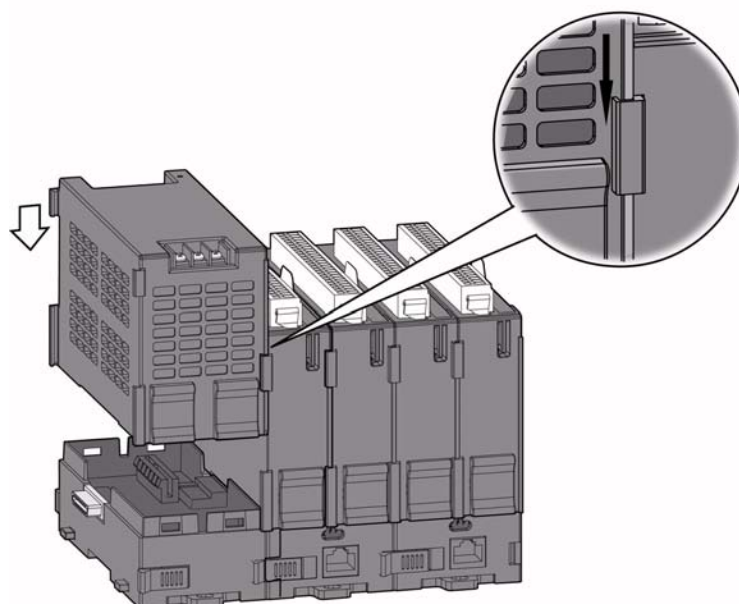
3. Stack the backplane of APAX-5343E to the left side of the first APAX-5002 backplane in the system.



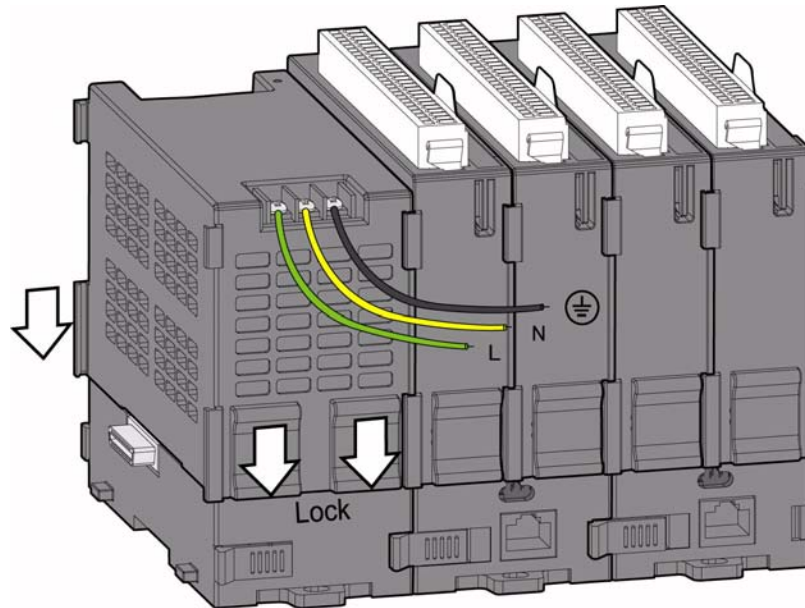
4. Lock the stacked APAX-5343E backplane with the APAX-5002 backplane by the backplane locks on the APAX-5002 backplane.



5. Insert the upper case of APAX-5343E back to its backplane. Use tongue-and-groove slots to move the upper case.



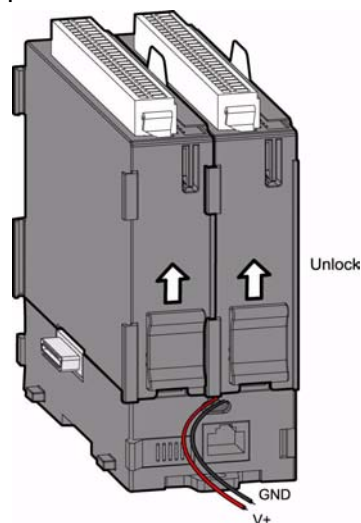
- Lock the upper case of APAX-5343E to its backplane by pulling down the module locks on the upper case. Connect AC power code to the power connectors on the upper case of APAX-5343E. Then the whole system is powered-on.



## 1.8 Decommission and Disposal

APAX-5000 I/O modules support hot-swap functionality. It means the I/O module can be removed from the backplane or inserted on the backplane when the complete system is power-on. This can significantly help to make it more convenient for system maintenance. Changing one module won't affect operation of other modules. The hot-swap functionality is implemented by the module locks. Refer to figure below for how to dismantle APAX-5000 I/O modules:

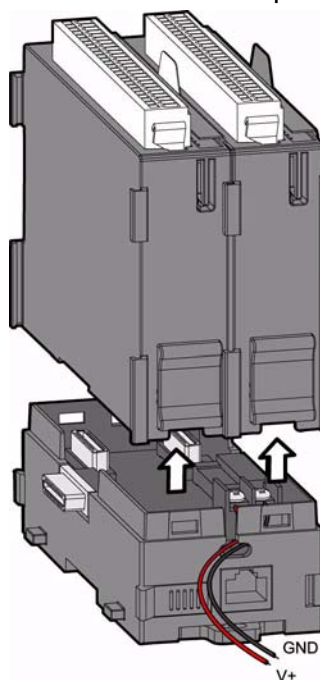
- Pull up the two module locks on side of APAX-5000 I/O modules first. This action disconnects the power between the I/O module and backplane.



**Note!** *If you only want to remove one module , the procedure is similar. (Pull up the module locks and then remove the module without shutting down the power)*



2. Detach APAX-5000 I/O module from the backplane.



Repeat Step 1 ~ Step 2 for all the APAX-5000 I/O modules you want to remove.

It is the similar when you insert APAX-5000 I/O modules back to the backplane. First, insert APAX-5000 I/O module to backplane. Then, pull down the two module locks to lock on the backplane, and APAX-5000 I/O module will be power-on and can be used.

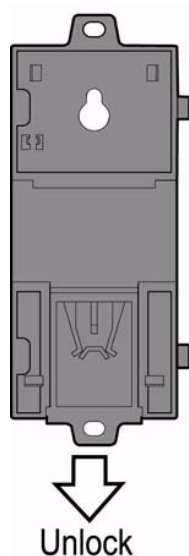
The device must be fully dismantled in order to dispose of it. Electronic parts must be disposed of in accordance with national electronics scrap regulations.

## 1.9 Mounting

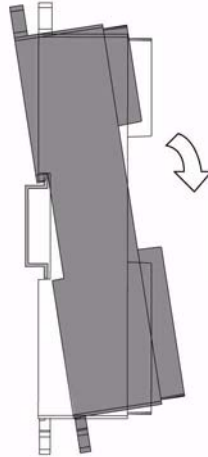
### 1.9.1 DIN-rail Mounting

APAX-5000 I/O module can be mounted through backplane to the following DIN rails: 35 x 7.5 mm or 35 x 15 mm. Below are the procedures for the DIN rails mounting.

1. Pull down the DIN rail lock at the back of APAX-5002 backplane.



2. Attach the APAX-5002 backplane on the DIN rail.

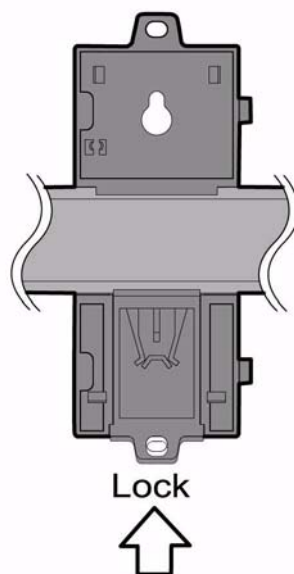


3. Repeat Step 1 ~ Step 2 until necessary APAX-5002 backplanes are all attached on the DIN rail.

**Note!** *When the total number of APAX-5520 and APAX-5000 I/O modules is odd, you can use APAX-5001 (1-slot backplane) as the last backplane in the system. And the procedure to attach APAX-5001 on the DIN rail is similar as APAX-5002.*



4. Move all backplanes to stack them together. Then slide the backplane locks on the backplanes to fasten all backplanes. (Similar to Step 6 and 7 in section 1.7.1)
5. Slide the DIN rail lock of all backplanes into the position, to fix all backplanes to the DIN rail.

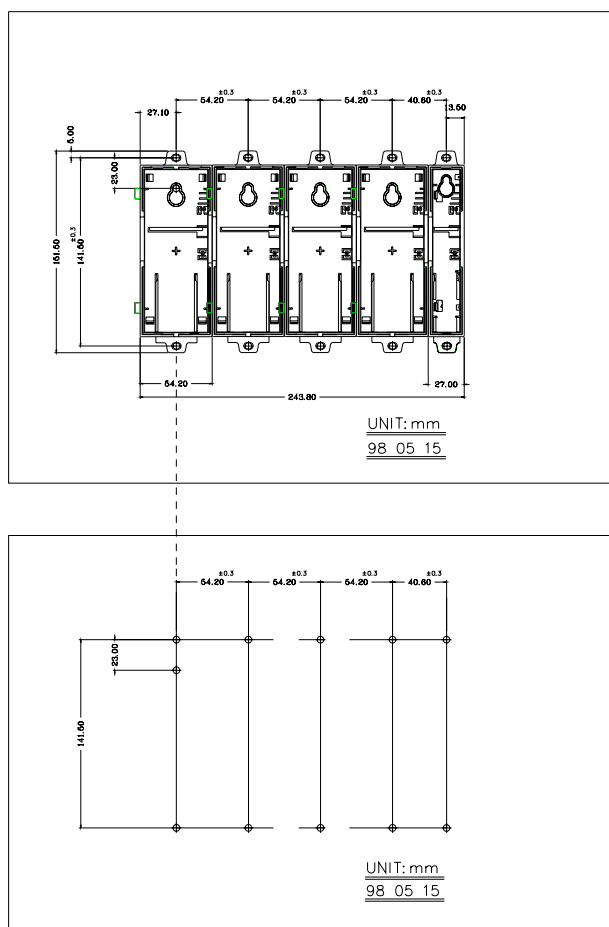


6. Insert all necessary APAX-5000 I/O modules to the backplanes. (Similar to Step 2, Step 4 and Step 8 in section 1.7.1)
7. Slide the module lock of those APAX-5000 I/O modules into the position, to fix these modules to related backplanes. (Similar to Step 3, Step 5 and Step 9 in section 1.7.1)



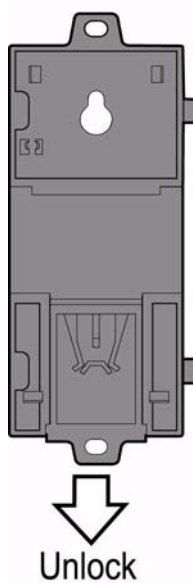
## 1.9.2 Wall (Panel) Mounting

Mount the APAX-5000 I/O module to a wall (panel) through backplane using two screws per module. Use M4 or #8 panhead screws. Refer to figure below for the dimensional template:

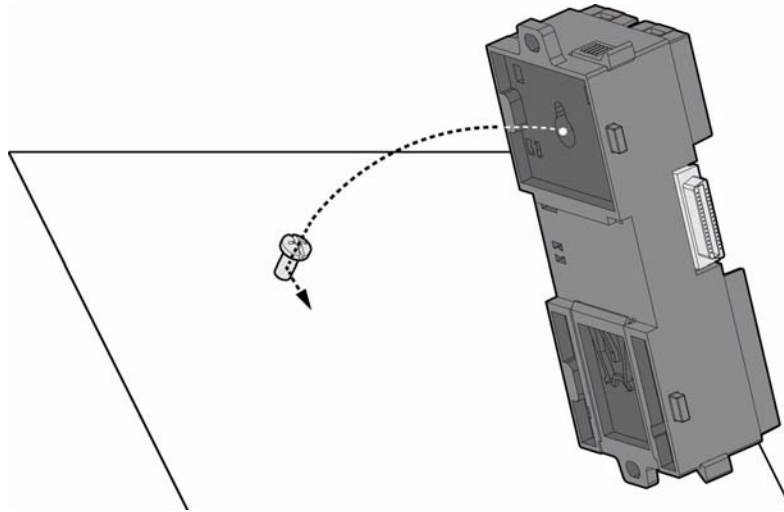


Below are the procedures for the wall (panel) mounting:

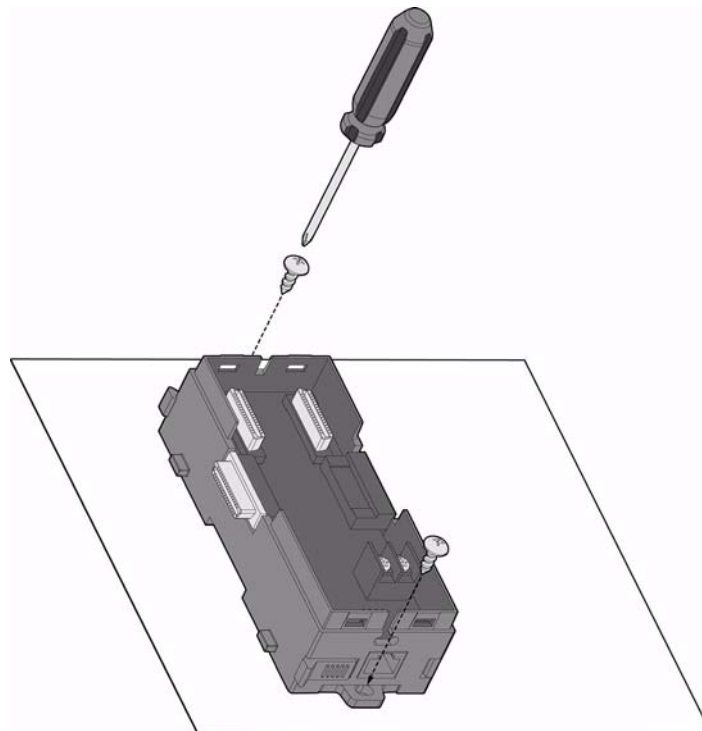
1. Pull down the DIN-rail lock at the back of the first APAX-5002 backplane.



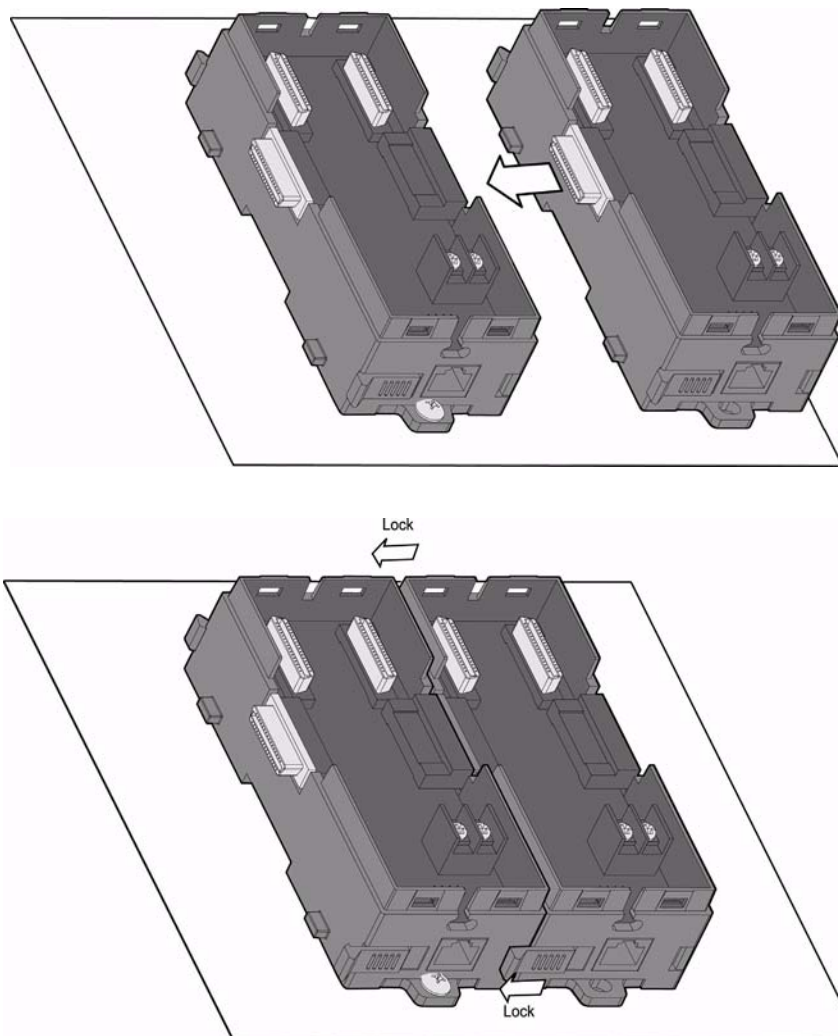
2. Hang the APAX-5002 backplane onto the screw on the wall (panel). The screw for APAX-5002 to hang should be special-designed. We have provided it in accessory. (Diameter: 9 mm, length: 16 mm, height of head: 2.7 mm)



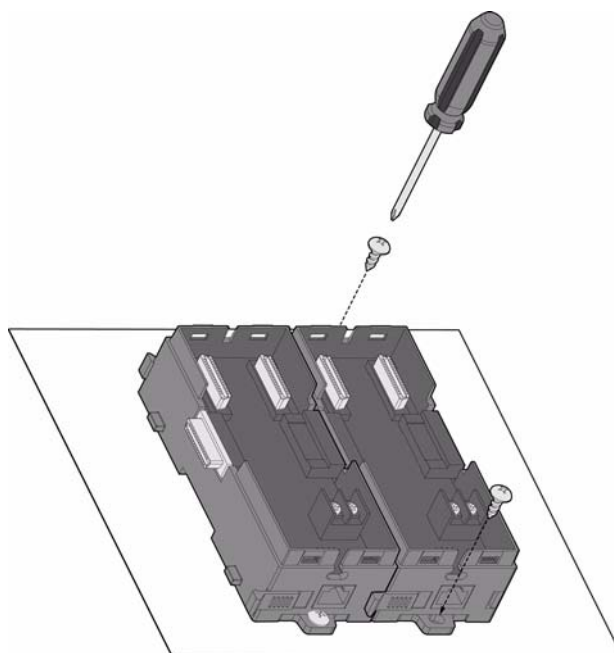
3. Mount the first APAX-5002 backplane to the wall (panel) using two standard M4 or #8 panhead screws. We also provide the two screws in accessory. (Diameter: 7 mm, length: 8 mm, height of head: 2.6 mm)



4. Stack Another APAX-5002 backplane to original backplane. Lock the two backplanes together.

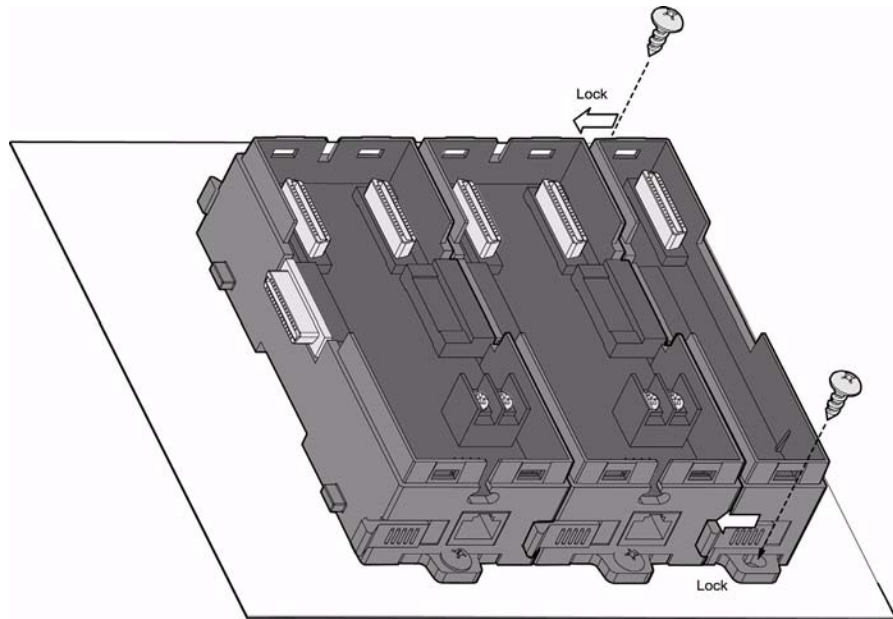
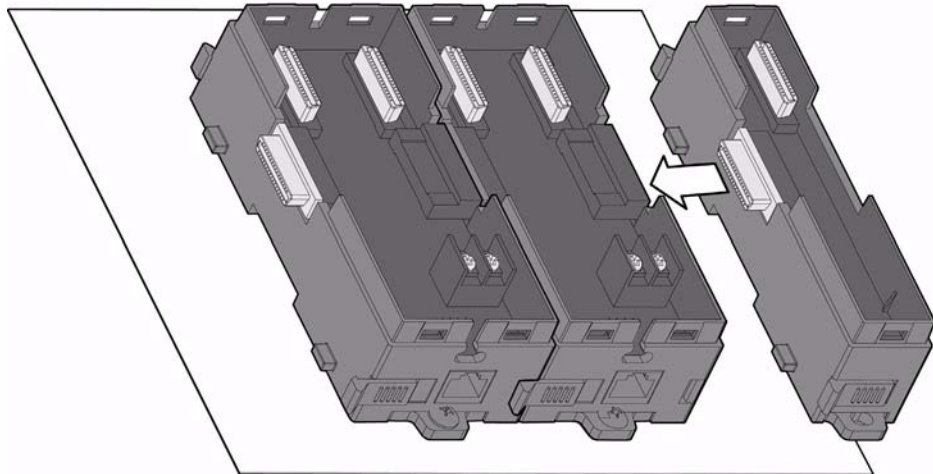


5. Mount the second APAX-5002 backplane to the wall (panel) using two standard M4 or #8 panhead screws.



- Repeat Step 4 ~ Step 5 until all necessary APAX-5002 backplane are screwed on the wall (panel).

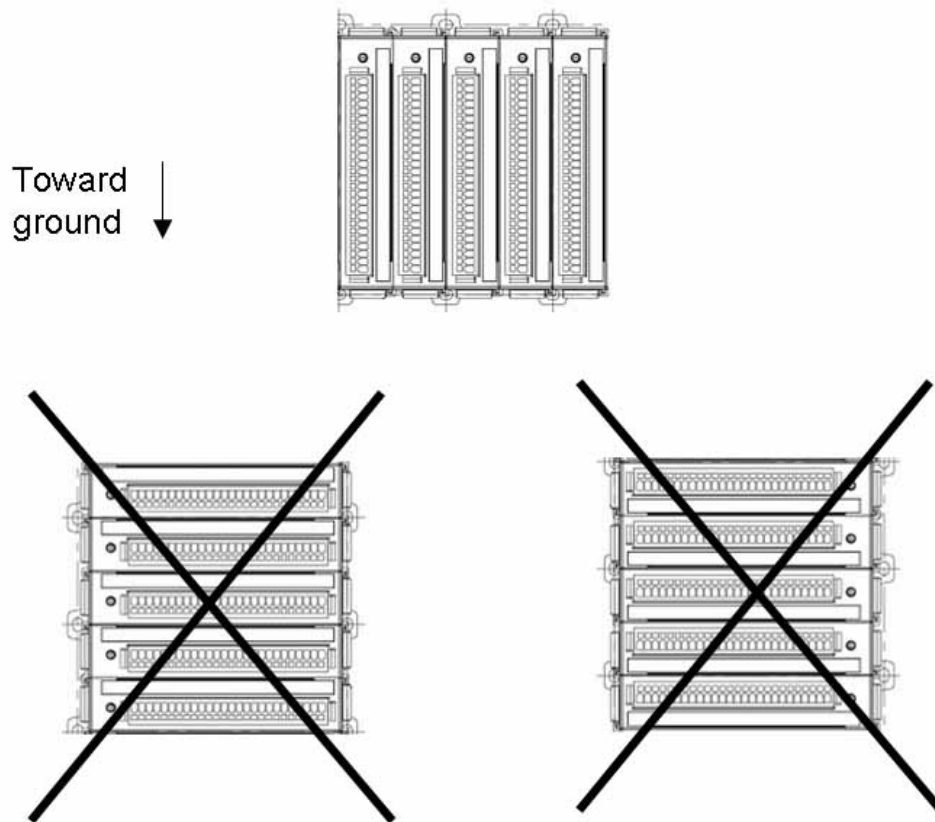
**Note!** When the total number of APAX-5000 I/O modules is odd, you can use APAX-5001 (1-slot backplane) as the last backplane in the system. The procedure to attach APAX-5001 on the wall is similar as APAX-5002.



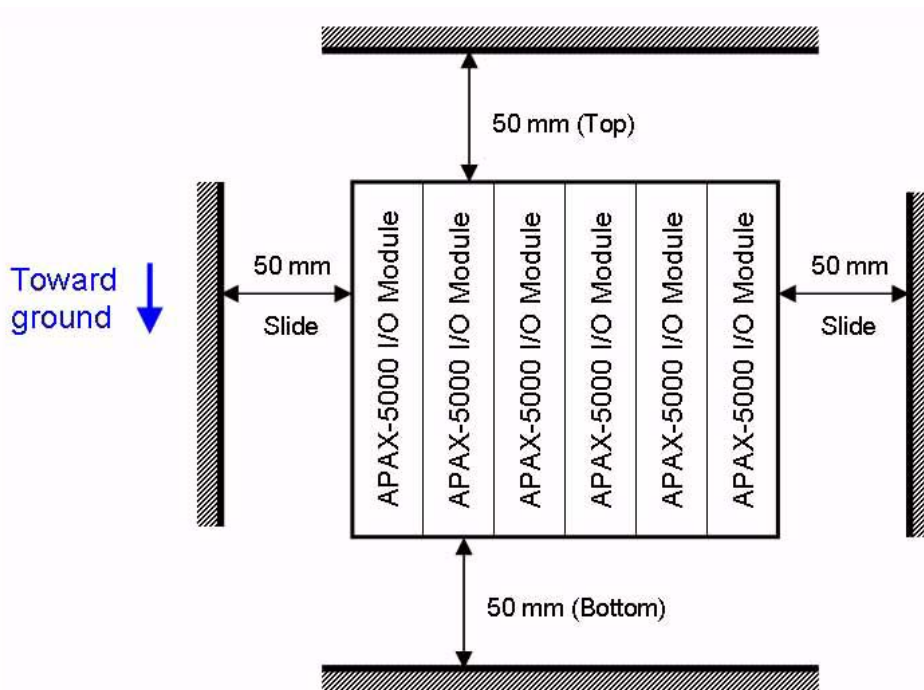
- Insert all necessary APAX-5000 I/O modules to the backplanes. (Similar to Step 2, Step 4 and Step 8 in section 1.7.1)
- Lock APAX-5520 and all necessary APAX-5000 I/O module to the backplane by pull down the buckle. (Similar to Step 3, Step 5 and Step 9 in section 1.7.1)

**Warning!** In order to have better ventilation, no matter DIN-rail or wall mounting is adopt, remember to alignment the APAX-5000 I/O modules as follows:





We suggest remaining enough clearance space from enclosure walls and adjacent equipments. Allow 50 mm (2 in.) of space on all sides, as shown below. This provide ventilation and makes assembly more easily.





# Chapter 2

Analog Input/Output  
Modules

## 2.1 Analog Input Modules

Analog input modules use an A/D converter to convert sensor voltage, current, thermocouple or RTD signals into digital data. The analog input modules protect your equipment from ground loops and power surges by providing opto-isolation of the A/D input and transformer based isolation up to 2,500 VDC.

### 2.1.1 APAX-5013 8-ch RTD Module

The APAX-5013 is a 16-bit, 8-channel RTD input module that features programmable input ranges on all channels. This module is an extremely cost-effective solution for industrial measurement and monitoring applications. Its opto-isolated inputs provide 2,500 VDC of isolation between the analog input and the module, protecting the module and peripherals from damage due to high input line voltage.

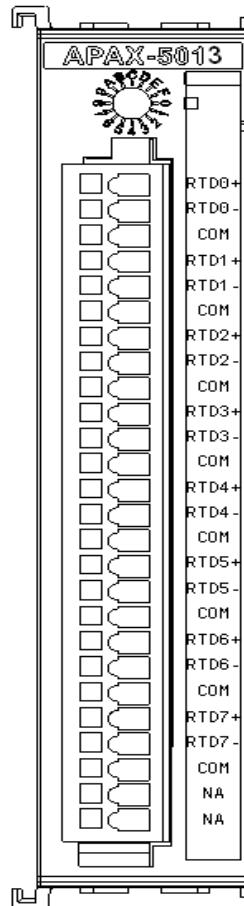


Figure 2.1 APAX-5013 Module Front View



## Application Wiring

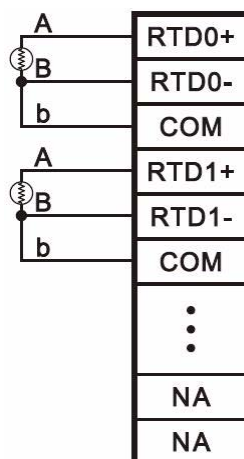


Figure 2.2 Wiring for APAX-5013

## APAX-5013 Technical Specifications

### Channels: 8

- **Input Impedance:** >20 M $\Omega$
- **Input Type:** Pt-100, Pt-200, Pt-500, Pt-1000, Balco, Ni 518 RTD (3-wire)
- **Temperature Range:** Pt-100, Pt-200, Pt-500, Pt-1000: -120~130° C, -200~850° C
  - Supports IEC 60751 ITS90 (0.03851 $\Omega/\Omega^\circ$  C) and JIS C 1604 (0.03916  $\Omega/\Omega^\circ$  C)
  - Balco 500: -30 ~ 120° C
  - Ni 518: -80 ~ 100° C, 0 ~ 100° C
- **Configure Different Range for Each Channel:** Yes
- **Resolution:** 16-bit
- **Accuracy:**  $\pm 0.1$  % of FSR (at 25° C)
- **Sampling Rate:** 10 sample/second (total)
- **CMR @ 50/60 Hz:** 90 dBs
- **NMR @ 50/60 Hz:** 60 dBs
- **Noise Suppression for Frequency:** 50/60 Hz
- **Span Drift:** 15 ppm/° C
- **Input Characteristic Curve:** According to IEC 61131-2

### Protection

- **Isolation:** 2,500 VDC (Between channels and backplane)

### Environment

- **Operating Temperature:** -10 ~ 60° C (when mounted vertically)
- **Storage Temperature:** -40 ~ 70° C
- **Relative Humidity:** 5 ~ 95% (non-condensing)

### General

- **Dimensions (W x H x D):** 30 x 139 x 100 mm
- **Weight:** 170 g
- **Power Consumption:** 2.5 W @ 24 VDC (typical)

## 2.1.2 APAX-5017 12-ch Analog Input Module

The ADAM-5017 is a 16-bit, 12-channel analog differential input module that provides programmable input ranges on all channels, and different channels can be configured using different ranges. It accepts voltage and current inputs. Adjust the switch (refer to Section 1.5) to define each channel as voltage or current input. Refer to the figure below to see how to define the input type by the jumper. Besides, you can use software (APAX utility) to configure range type for each channel. This module is an extremely cost-effective solution for industrial measurement and monitoring applications. The module provides 2500 VDC optical isolation between channels and backplane bus. If any high voltage or current damage the channels, the whole system (backplanes, other modules, and control unit) won't be affected because it is already isolated.

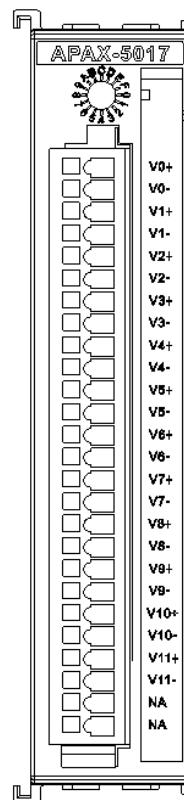


Figure 2.3 APAX-5017 Module Front View

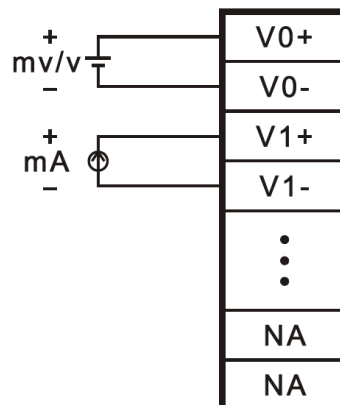
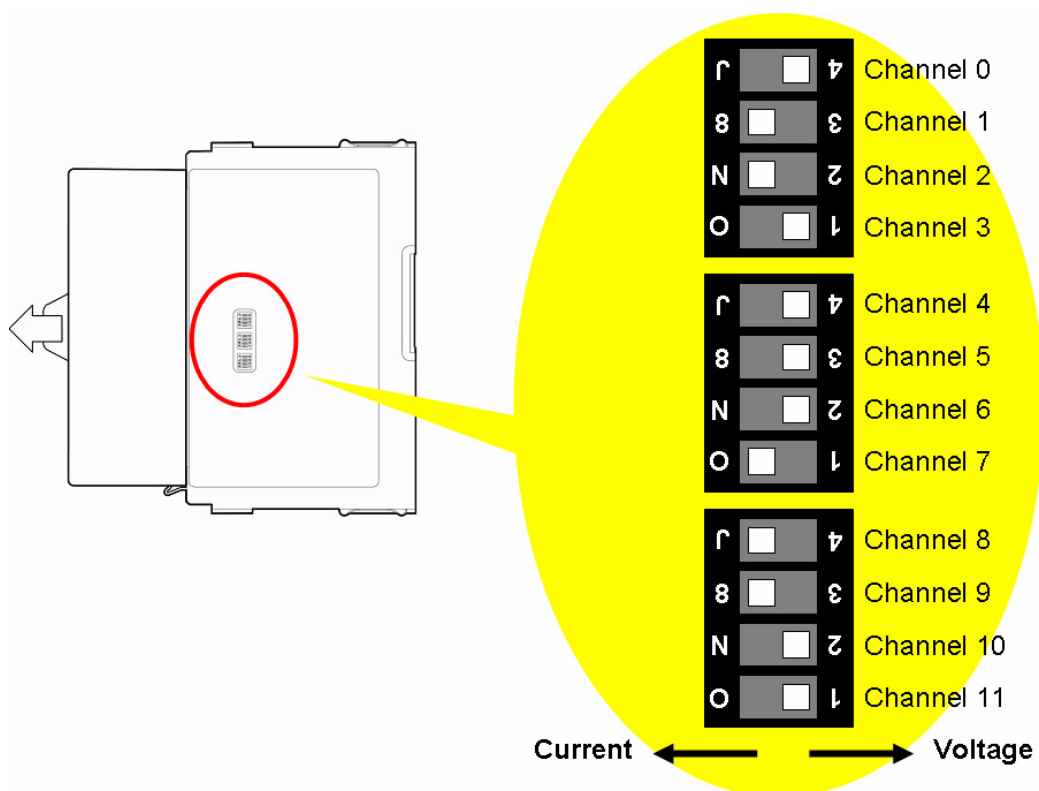


Figure 2.4 Wiring for APAX-5017

**Note!** To keep measurement accuracy please short the channels that are not in use.



**Note!** You can use the jumpers to configure each analog input channel type (voltage or current). Refer to Section 1.5 for the location of the jumpers. There are a total of 12 jumpers and each is specific for one channel. Refer to figure below for how to configure analog input channel type. In this example, channels 1, 2, 7, 8 and 9 are setting as current input channels, while other channels are setting as voltage input channels.



## Technical Specifications of APAX-5017

- **Channels:** 12 (Differential)
- **Input Impedance:** >10 M $\Omega$  (Voltage), 120 $\Omega$  (Current)
- **Input Type:** V, mV, mA
- **Voltage/Current Range:**  
 $\pm 150\text{mV}, \pm 500\text{mV}, \pm 1\text{V}, \pm 5\text{V}, \pm 10\text{V}, \pm 20\text{mA}, 0\sim 20\text{mA}, 4\sim 20\text{mA}$
- **Configure Different Range for Each Channel:** Yes
- **Accuracy:**  $\pm 0.1\%$  or better (Voltage),  $\pm 0.2\%$  or better (Current) at 25° C
- **Resolution:**

Voltage	
Range	Resolution
$\pm 150\text{ mV}$	16 bit
$\pm 500\text{ mV}$	16 bit
$\pm 1\text{ V}$	16 bit
$\pm 5\text{ V}$	16 bit
$\pm 10\text{ V}$	16 bit

Current	
Range	Resolution
$\pm 20\text{ mA}$	15 bit
0 ~ 20 mA	14 bit
4 ~ 20 mA	14 bit

- **Sampling Rate:** 12 samples/second (total)
- **CMR @ 50/60 Hz:** 90 dB
- **NMR @ 50/60 Hz:** 67 dB
- **Noise Suppression for Frequency:** 50/60 Hz
- **Span Drift:**  $\pm 30\text{ ppm}/^\circ\text{C}$
- **Zero Drift:**  $\pm 6\text{ }\mu\text{V}/^\circ\text{C}$
- **Input Characteristic Curve:** According to IEC 61131-2
- **Common Mode Voltage:** up to 200 VDC

### Protection

- **Isolation:** 2,500 VDC (Between channels and backplane bus)
- **Over Voltage Protection:**  $\pm 35\text{ VDC}$

### Environment

- **Operating Temperature:** -10 ~ 60° C (when mounted vertically)
- **Storage Temperature:** -40 ~ 70° C
- **Relative Humidity:** 5 ~ 95% (non-condensing)

### General

- **Dimensions (W x H x D):** 30 x 139 x 100 mm
- **Weight:** 170 g
- **Power Consumption:** 4 W @ 24 VDC (typical)

### 2.1.3 APAX-5017H 12-ch High Speed Analog Input Module

APAX-5017H is an 12-ch analog differential input module that provides programmable input ranges on each channel. Its sampling rate depends on the data format received: up to 1000 sample/second (per channel). The module provides 2500 VDC optical isolation between channels and backplane bus. If any high voltage or current damage the channels, the whole system (backplanes, other modules, and control unit) won't be affected because it is already isolated.

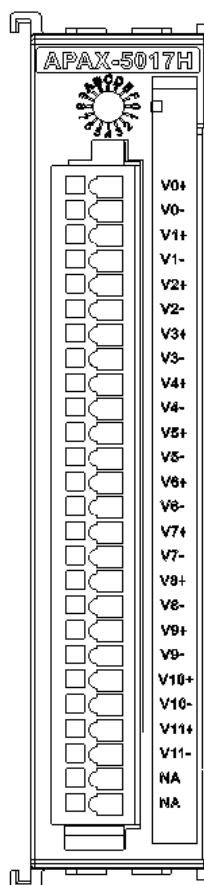


Figure 2.5 APAX-5017H Module Front View

#### Application Wiring

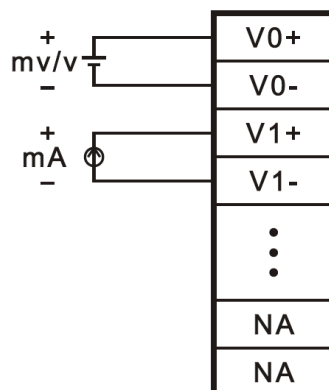
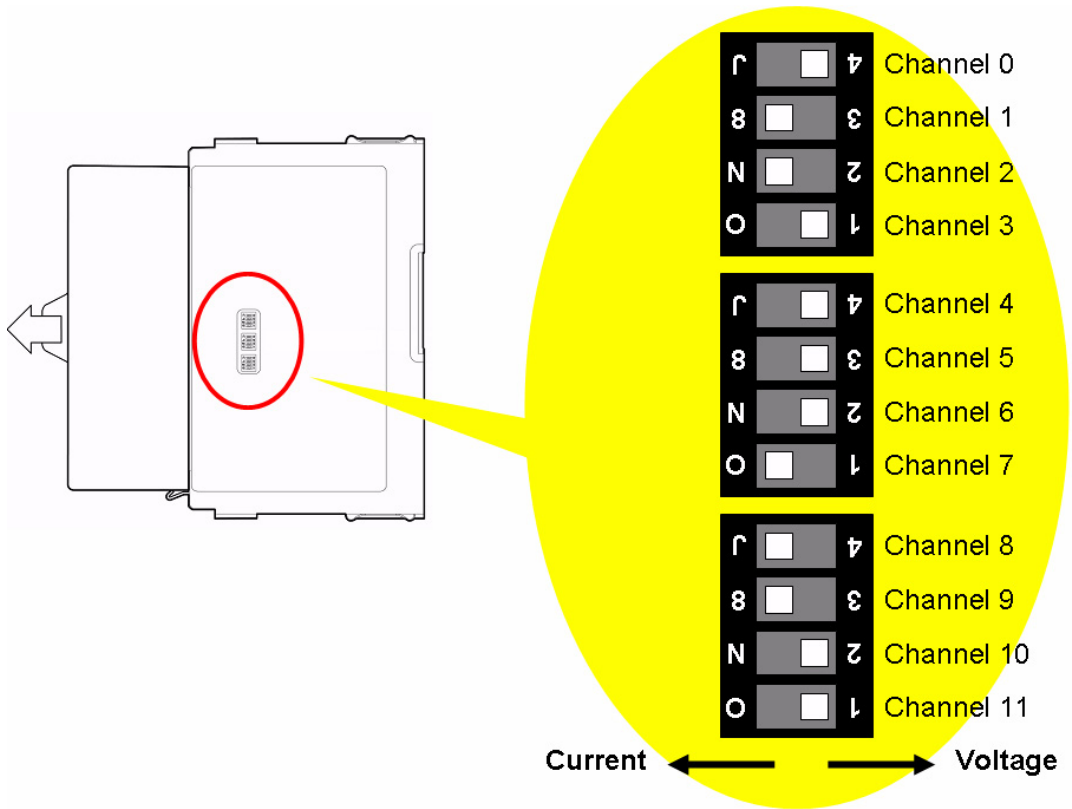


Figure 2.6 Wiring for APAX-5017H

**Note!** You can use the jumpers to configure each analog input channel type (voltage or current). Refer to Section 1.5 for the location of the jumpers. There are a total of 12 jumpers and each is specific for one channel. Refer to figure below for how to configure analog input channel type. In this example, channels 1, 2, 7, 8 and 9 are setting as current input channels, while other channels are setting as voltage input channels.



## APAX-5017H Specifications

- **Channels:** 12
- **Input Impedance:** 2M $\Omega$  (Voltage), 120  $\Omega$  (Current)
- **Input Type:** V, mV, mA
- **Input Range:** 0 ~ 500 mV,  $\pm 10$  V, 0 ~ 10 V, 0 ~ 20 mA, 4 ~ 20 mA
- **Configure Different Range for Each Channel:** Yes
- **Accuracy:**  $\pm 0.1\%$  or better (voltage),  $\pm 0.2\%$  or better (current) at 25° C
- **Resolution:** 12-bit
- **Sampling Rate:** 1,000 sample/second (per channel)
- **Span Drift:**  $\pm 25$  ppm/° C
- **Zero Drift:**  $\pm 6$   $\mu$ V/° C
- **Input Characteristic Curve:** According to IEC 61131-2

### Protection

- **Over Voltage Protection:**  $\pm 35$  VDC
- **Isolation:** 2,500 VDC (Between channels and backplane bus)

**Note!** The voltage between any two pins must not exceed 15 V



### Environment

- **Operating Temperature:** -10 ~ 60° C (when mounted vertically)
- **Storage Temperature:** -40 ~ 70° C
- **Relative Humidity:** 5 ~ 95% (non-condensing)

### General

- **Dimensions (W x H x D):** 30 x 139 x 100 mm
- **Weight:** 175 g
- **Power Consumption:** 3.5 W @ 24 VDC (typical)

## 2.1.4 APAX-5018 12-ch Thermocouple Input Module

The APAX-5018 is a 16-bit, 12-channel thermocouple input module that features programmable input ranges on all channels. It accepts millivolt inputs ( $\pm 50$  mV,  $\pm 100$  mV,  $\pm 500$  mV), voltage inputs ( $\pm 1$  V,  $\pm 2.5$  V), current input ( $\pm 20$  mA, 0~20mA, 4~20mA) and thermocouple input (Type J, K, T, R, S, E, B). An external CJC on the plug-in terminal is designed for accurate temperature measurement. The module provides 2500 VDC optical isolation between channels and backplane bus. If any high voltage or current damage the channels, the whole system (backplanes, other modules, and control unit) won't be affected because it is already isolated.

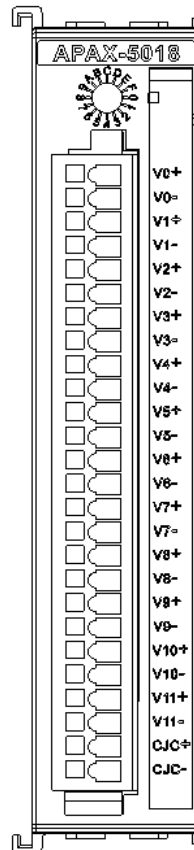


Figure 2.7 APAX-5018 Module Front View

### Application Wiring

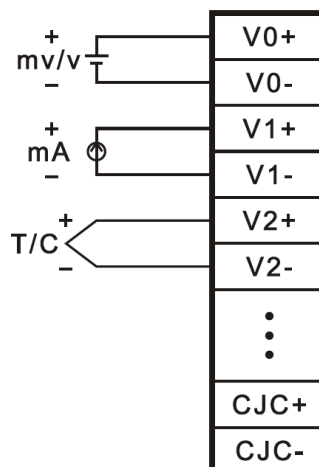
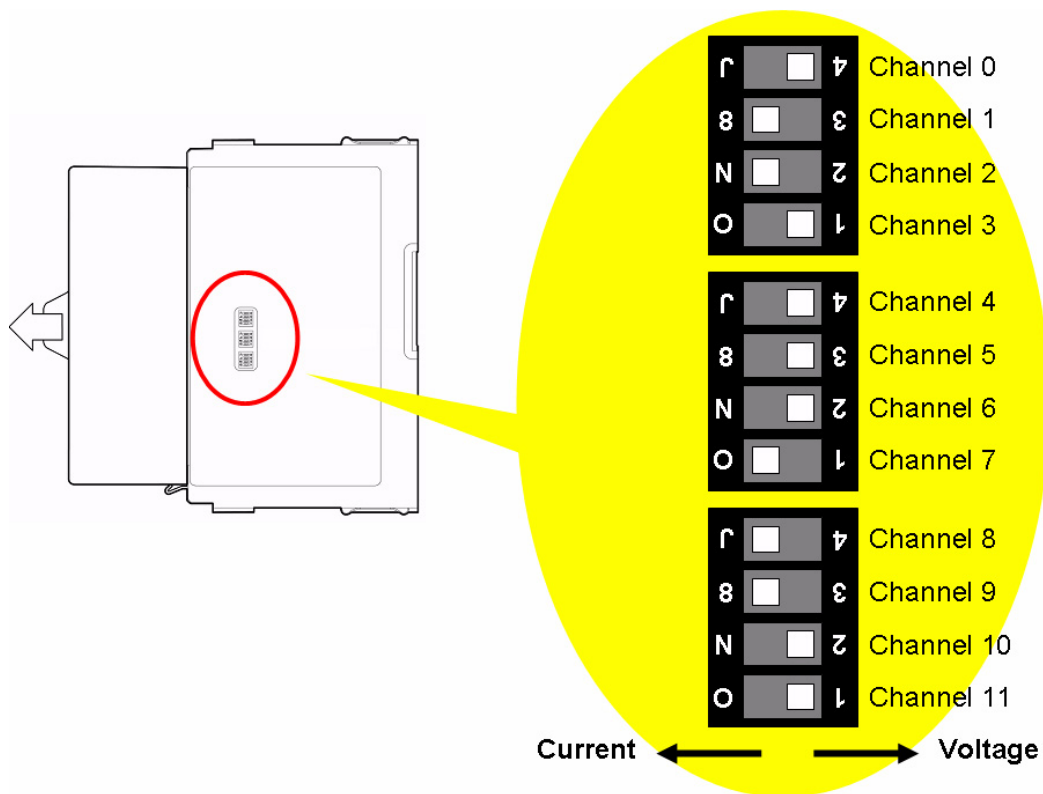


Figure 2.8 Wiring for APAX-5018



**Note!** You can use the jumpers to configure each analog input channel type (voltage/thermocouple or current). Refer to Section 1.5 for the location of the jumpers. There are a total of 12 jumpers and each is specific for one channel. Refer to figure below for how to configure analog input channel type. In this example, channels 1, 2, 7, 8 and 9 are set as current input channels, while other are set as voltage input channels.



## APAX-5018 Specifications

- **Channels:** 12 (Differential)
- **Input Type:** V, mV, mA, Thermocouple
- **Voltage/Current Range:**  
±50mV, ±100mV, ±500mV, ±1V, ±2.5V, ±20mA, 0~20mA, 4~20 mA
- **Voltage and Current Accuracy:** ±0.1% or better (Voltage), ±0.2% or better (Current) at 25° C
- **Temperature Range and Accuracy:**

Type	Range	Accuracy
Type J	-210 ~ 1200° C	±1.0° C
Type K	-270 ~ 1372° C	±1.0° C
Type T	-270 ~ 400° C	±1.0° C
Type E	-270 ~ 1000° C	±1.0° C
Type R	0 ~ 1768° C	±1.2° C
Type S	0 ~ 1768° C	±1.2° C
Type B	300 ~ 1820° C	±2.0° C

- **Configure Different Range for Each Channel:** Yes
- **Resolution:**

Voltage	
Range	Resolution
±50 mV	16 bit
±100 mV	16 bit
±250 mV	16 bit
±500 mV	16 bit
±1 V	16 bit
±2.5 V	16 bit

Current	
Range	Resolution
±20 mA	15 bit
0 ~ 20 mA	14 bit
4 ~ 20 mA	14 bit

Thermocouple	
Range	Resolution
Type J	14 bit
Type K	14 bit
Type T	15 bit
Type E	15 bit
Type R	14 bit
Type S	14 bit
Type B	14 bit

- **Sampling Rate:** 12 samples/second (total)
- **CMR @ 50/60 Hz:** 90 dB
- **NMR @ 50/60 Hz:** 67 dB
- **Noise Suppression for Frequency:** Hardware Filter (50/60 Hz)
- **Span Drift:**  $\pm 25$  ppm/ $^{\circ}$  C
- **Zero Drift:**  $\pm 6$   $\mu$ V/ $^{\circ}$  C
- **Thermocouple Wire Burn-out Detection:** Yes  
(When the loop resistance > 1K $\Omega$  it will detect as wire burn-out)
- **Input Characteristic Curve:** According to IEC 61131-2
- **Common Mode Voltage:** up to 200 VDC

#### Protection

- **Isolation:** 2,500 VDC (Between channels and backplane bus)

#### Environment

- **Operating Temperature:** -10 ~ 60 $^{\circ}$  C (when mounted vertically)
- **Storage Temperature:** -40 ~ 70 $^{\circ}$  C
- **Relative Humidity:** 5 ~ 95% (non-condensing)

#### General

- **Dimensions (W x H x D):** 30 x 139 x 100 mm
- **Weight:** 170 g
- **Power Consumption:** 3.5 W @ 24 VDC (typical)

## 2.2 Analog Output Modules

### 2.2.1 APAX-5028 8-ch Analog Output Module

The APAX-5028 is a 8-channel analog output module. It uses the D/A converter controlled by the system module to convert the digital data into output signals. You can specify slew rates and start up currents through the configuration software. For each channel, voltage and current can be used by connecting to different terminal. The module provides 2500 VDC optical isolation between channels and backplane bus. If any high voltage or current damage the channels, the whole system (backplanes, other modules, and control unit) won't be affected because it is already isolated.

**Note!** *The slew rate is defined as the slope indicated the ascending or descending rate per second of the analog output from the present to the required.*

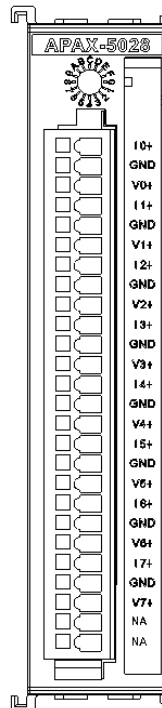


Figure 2.9 APAX-5028 Module Frontal View

## Application Wiring

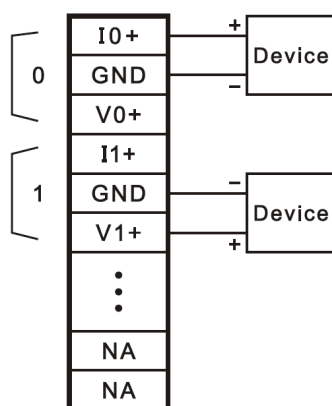


Figure 2.10 Wiring for APAX-5028

**Note!** *The common terminals are physically connected together and to the backplane power supply ground.*



---

## 2.2.2 APAX-5028 Specifications

- **Channels:** 8
- **Output Type:** V, mA
- **Output Range:**  $\pm 2.5$  V,  $\pm 5$  V,  $\pm 10$  V, 0~2.5 V, 0~5 V, 0~10 V, 0~20 mA, 4~20 mA
- **Configure Different Range for Each Channel:** Yes
- **Resolution:** 14-bit
- **Accuracy:**  $\pm 0.1\%$  of FSR at 25° C
- **Settling Time:** About 50  $\mu$ s to 0.01%
- **Output Latency:** 500  $\mu$ s
- **Slew Rate:** 0.7 VDC/ $\mu$ s (per channel)
- **Span Drift:**  $\pm 60$  ppm/ $^{\circ}$  C
- **Zero Drift:**  $\pm 250$   $\mu$ V/ $^{\circ}$  C
- **Load:** Voltage: 1000  $\Omega$  (minimum), Current: 0 ~ 500  $\Omega$

### Protection

- **Isolation:** 2,500 VDC (Between channels and backplane bus)
- **Short Circuit Protection**

### Environment

- **Operating Temperature:** -10 ~ 60° C (when mounted vertically)
- **Storage Temperature:** -40 ~ 70° C
- **Relative Humidity:** 5 ~ 95% (non-condensing)

### General

- **Dimensions (W x H x D):** 30 x 139 x 100 mm
- **Weight:** 175 g
- **Power Consumption:** 3.5 W @ 24 VDC (typical)

# Chapter 3

Digital Input/Output  
Modules

## 3.1 Digital Input/Output Modules

### 3.1.1 APAX-5040 24-ch Digital Input Module

The APAX-5040 features 24 digital input (sink/source) channels. The APAX-5040 module's digital input channels can accept a 2-wiring input from a DC voltage source, to determine the state of limits, standard switches or proximity switches. The digital input channels offer LED to indicate digital status. The module provides 2500 VDC optical isolation between channels and backplane bus. If any high voltage or current damage the channels, the whole system (backplanes, other modules, and control unit) won't be affected because it is already isolated.

**Warning!** Please use different power supply modules for digital channels and system to ensure isolation effect.

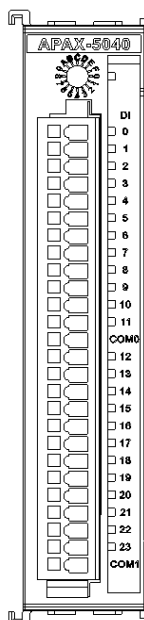


Figure 3.1 APAX-5040 Module Front View

#### Application Wiring

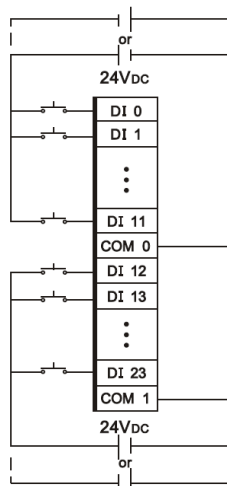


Figure 3.2 Wiring for APAX-5040



## APAX-5040 Specifications

### Digital Input

- **Channels:** 24
- **Points per Common:** 12
- **Type:** Sink/Source (Wet Contact)
- **Input Voltage Rated Value:** 24 VDC
  - For "0" signal: -5 ~ 5 VDC
  - For "1" signal: 15 ~ 30 VDC and -15 ~ -30 VDC
- **Input Impedance:** 5.4 k $\Omega$
- **Input Current:** typical 4.4 mA (At signal "1")
- **Input Filter:** 3 ms
- **Input Characteristic Curve:** According to IEC 61131-2, type 1

### Protection

- **Isolation:** 2,500 VDC (Between channels and backplane bus)
- **Over Voltage Protection:**  $\pm 70$  VDC

### Environment

- **Operating Temperature:** -10 ~ 60° C (when mounted vertically)
- **Storage Temperature:** -40 ~ 70° C
- **Relative Humidity:** 5 ~ 95% (non-condensing)

### General

- **Dimensions (W x H x D):** 30 x 139 x 100 mm
- **Weight:** 160 g
- **Power Consumption:** 2 W @ 24 VDC (typical)
- **Status Display:** LED per channel
  - **On:** Logic level "1"
  - **Off:** Logic level "0"

### 3.1.2 APAX-5045 24-ch Digital Input/Output Module

The APAX-5045 features 12 digital input (sink/source) and 12 digital output (sink) channels. The APAX-5045 module's digital input channels can accept a 2-wiring input from a DC voltage source, to determine the state of limits, standard switches or proximity switches. The APAX-5045 module's digital output channels can generate discrete signal to external devices and change its output value to control the devices. The digital output channels offer short-circuit protection and LED to indicate digital status. The module provides 2500 VDC optical isolation between channels and backplane bus. If any high voltage or current damage the channels, the whole system (backplanes, other modules, and control unit) won't be affected because it is already isolated.

**Warning!** Please use different power supply modules for digital channels and system to ensure isolation effect.

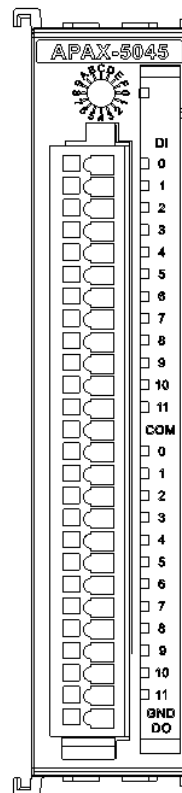


Figure 3.3 APAX-5045 Module Frontal View

## Application Wiring

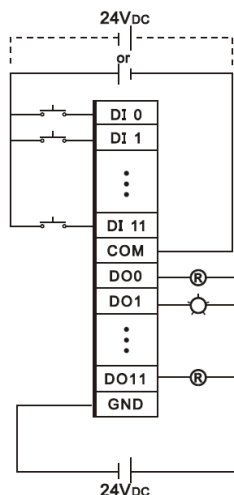
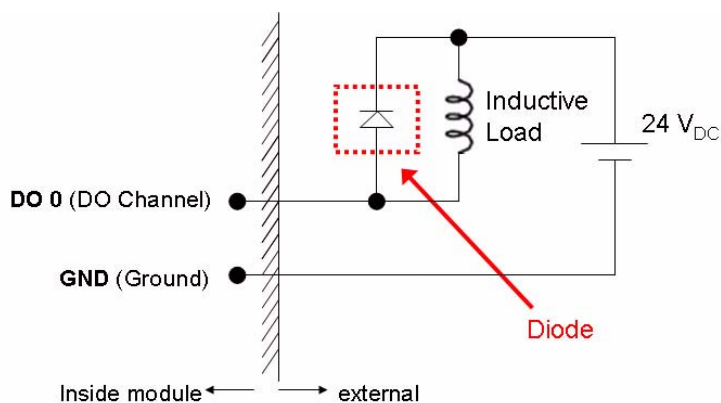


Figure 3.4 Wiring for APAX-5045

**Warning!** When you connect DO channel with inductive load, we suggest adding one diode in the circuit to protect the APAX-5045 module. (Refer to figure below)



## APAX-5045 Specifications

### Digital Input

- **Channels:** 12
- **Points per Common:** 12
- **Type:** Sink/Source (Wet Contact)
- **Input Voltage Rated Value:** 24 VDC
  - For "0" signal: -5 ~ 5 VDC
  - For "1" signal: 15 ~ 30 VDC and -15 ~ -30 VDC
- **Input Impedance:** 5.4 k $\Omega$
- **Input Current:** typical 4.4 mA (At signal "1")
- **Input Filter:** 3 ms
- **Input Characteristic Curve:** According to IEC 61131-2, type 1

---

### Digital Output

- **Channels:** 12
- **Type:** Sink
- **Voltage Range:** 8 ~ 35 VDC
- **Rated Output Current at signal "1":** 0.5 A (per channel)
- **Permitted Output Current (at signal "1"):** max. 0.75 A
- **Output Current at signal "0" (leakage current):** 0.1 mA
- **Lamp Load:** max. 5W
- **On-State Voltage Drop:** 0.15 V at 0.5 A
- **Switch Rate:**
  - **For resistive load:** max. 300 Hz
  - **For inductive load:** max. 20 Hz
  - **For lamp load:** max. 200 Hz (Using 5W lamp and tested under 50  $\Omega$ , 24 V)

### Protection

- **Isolation:** 2,500 VDC (Between channels and backplane bus)
- **Over Voltage Protection:**  $\pm 70$  VDC (for DI channel)
- **Short Circuit Protection** (For DO channel)
- **Thermal Shutdown Protection** (For DO channel)

### Environment

- **Operating Temperature:** -10 ~ 60° C (when mounted vertically)
- **Storage Temperature:** -40 ~ 70° C
- **Relative Humidity:** 5 ~ 95% (non-condensing)

### General

- **Dimensions (W x H x D):** 30 x 139 x 100 mm
- **Weight:** 165 g
- **Power Consumption:** 2.5 W @ 24 VDC (typical)
- **Status Display:** LED per channel
  - **On:** Logic level "1"
  - **Off:** Logic level "0"

### 3.1.3 APAX-5046 24-ch Digital Output Module

The APAX-5046 features 24 digital output (sink) channels. The digital output channels offer short-circuit protection and LED to indicate digital status. The module provides 2500 VDC optical isolation between channels and backplane bus. If any high voltage or current damage the channels, the whole system (backplanes, other modules, and control unit) won't be affected because it is already isolated.

**Warning!** Please use different power supply modules for digital channels and system to ensure isolation effect.

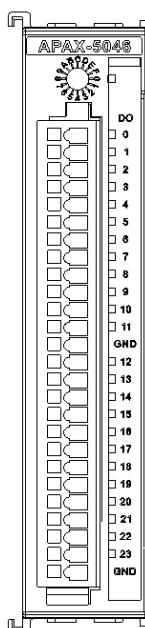


Figure 3.5 APAX-5046 Module Front View

#### Application Wiring

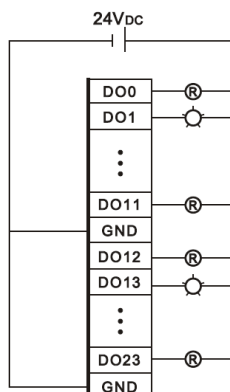
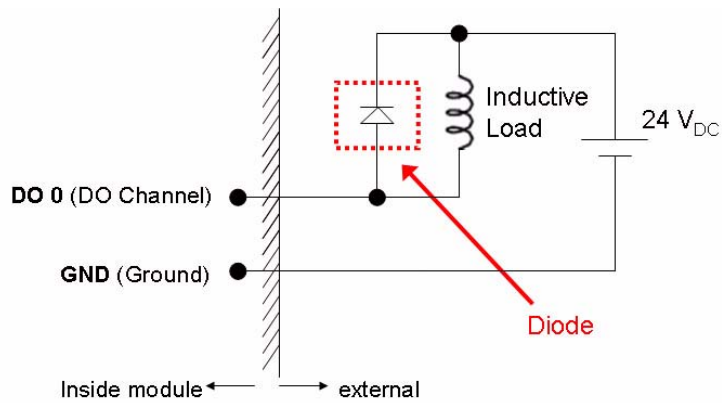


Figure 3.6 Wiring for APAX-5046

**Warning!** When you connect DO channel with inductive load, we suggest adding one diode in the circuit to protect the APAX-5046 module. (Refer to figure below)





## APAX-5046 Specifications

### Digital Output

- **Channels:** 24
- **Type:** Sink
- **Voltage Range:** 8 ~ 35 VDC
- **Rated Output Current at signal "1":** 0.5 A (per channel)
- **Permitted Output Current (at signal "1"):** max. 0.75 A
- **Output Current at signal "0" (leakage current):** 0.1 mA
- **Lamp Load:** max. 5W
- **On-State Voltage Drop:** 0.15 V at 0.5 A
- **Switch Rate:**
  - **For resistive load:** max. 300 Hz
  - **For inductive load:** max. 20 Hz
  - **For lamp load:** max. 200 Hz (Using 5W lamp and testing under 24 V)

### Protection

- **Isolation:** 2,500 VDC (Between channels and backplane bus)
- **Short Circuit Protection**
- **Thermal Shutdown Protection**

### Environment

- **Operating Temperature:** -10 ~ 60° C (when mounted vertically)
- **Storage Temperature:** -40 ~ 70° C
- **Relative Humidity:** 5 ~ 95% (non-condensing)

### General

- **Dimensions (W x H x D):** 30 x 139 x 100 mm
- **Weight:** 165 g
- **Power Consumption:** 2.5 W @ 24 VDC (typical)
- **Status Display:** LED per channel
  - **On:** Logic level "1"
  - **Off:** Logic level "0"

## 3.2 Relay Output Modules

### 3.2.1 APAX-5060 12-ch Relay Output Module

The APAX-5060 relay output module provides 12 relay channels of Form A. Switches can be used to control the relays. The digital output channels offer short-circuit protection and LED to indicate digital status. The module provides 2500 VDC optical isolation between channels and backplane bus. If any high voltage or current damage the channels, the whole system (backplanes, other modules, and control unit) won't be affected because it is already isolated.

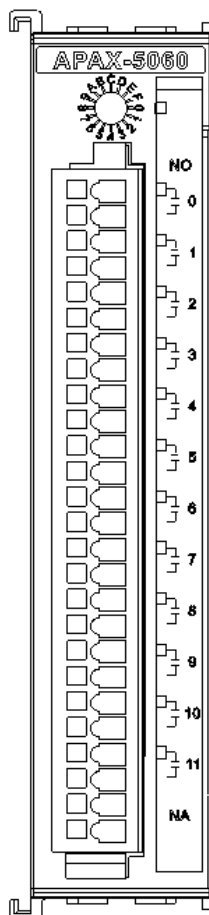


Figure 3.7 APAX-5060 Module Frontal View

### Application Wiring

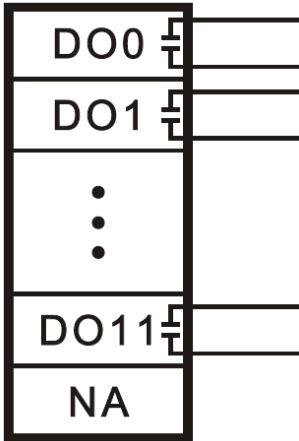
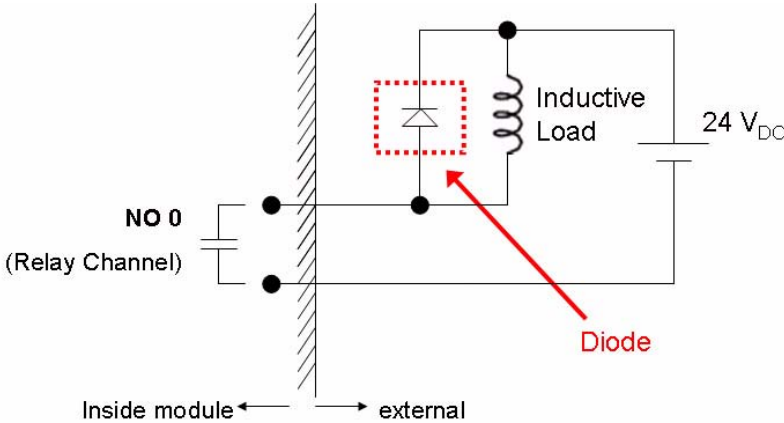


Figure 3.8 Wiring for APAX-5060

**Warning!** When you connect DO channel with inductive load, we suggest adding one diode in the circuit to protect the APAX-5060 module. (Refer to figure below)





## APAX-5060 Specifications

### Relay Output

- **Channels:** 12
- **Relay Type:** Form A (SPST)
- **Switching Capacity and Lifetime of the Contact (For Resistive Load)**
  - VDE: 30,000 operations (5 A @ 250 VAC, 10 operations/minute at 8° C)  
70,000 operations (5 A @ 30 VDC, 10 operations/ minute at 85° C)
  - UL: 60,000 operations (5 A @ 250 VAC)  
100,000 operations (5 A @ 30 VDC)
  - Mechanism: 20,000,000 operations (no load, 300 operations/minute)
- **Breakdown Voltage:** 500 VAC (50/60 Hz)
- **Contact Resistance:** 30 mΩ (maximum)
- **Insulation Resistance:** 1 GΩ (minimum) at 500 VDC

### Protection

- **Isolation:** 2,500 VDC (Between channels and backplane bus)

### Environment

- **Operating Temperature:** -10 ~ 60° C (when mounted vertically)
- **Storage Temperature:** -40 ~ 70° C
- **Relative Humidity:** 5 ~ 95% (non-condensing)

### General

- **Dimensions (W x H x D):** 30 x 139 x 100 mm
- **Weight:** 195 g
- **Power Consumption:** 2 W @ 24 VDC (typical)
- **Status Display:** LED per channel
  - **On:** Logic level “1”
  - **Off:** Logic level “0”

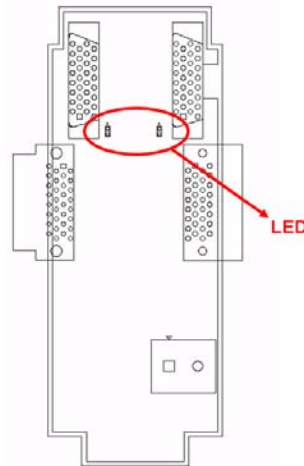


# Chapter 4


## Backplane Modules

## 4.1 APAX-5002 2-slot Backplane Module

APAX-5002 is an interface between CPU module, coupler and I/O modules. Different APAX-5002 can be stacked together. Power and data can be transferred to I/O modules inserted on the APAX-5002. You can use external power supply or APAX-5343E power supply module to give power to the backplanes and I/O modules. Refer to Section 1.7.1 and 1.7.2 for the operation procedure. If the APAX-5002 is powered-on, you can see the LED to indicate the module is working. Refer to figure below for the location of the LED.



There is an expansion port on front side of APAX-5002. With this port, users can build a remote expansion architecture, remaining fast local-bus data transmission speed. Standard Ethernet cables can be used to connect any two APAX-5002. However, shielded industrial Ethernet cable **MUST** be used instead of standard Ethernet cable when the system is used in harsh environment, such as factory automation. Unmanaged industrial Ethernet switches (such as Advantech EKI-2528) with 100 Mbps transmission speed can also be used between two APAX-5002. Therefore, you can flexibly build any remote expansion with line, tree or star topology. All the APAX-5000 I/O modules can benefit from the remote expansion architecture with local bus speed.

- Warning!** 1. *DO NOT use managed switch, hub or router between backplanes for expansion.*
- 
2. *The network for the expansion should be a local network, NOT to connect with other external network (such as public network in enterprise network, including Internet).*
3. *Cat 6 Ethernet cable is strongly recommended for better data transmission quality.*
4. *It is suggested to power on all the I/O modules together to avoid any unpredictable situation.*

## APAX-5002 Specifications

### Environment

- **Operating Temperature:** -10 ~ 60° C
- **Storage Temperature:** -40 ~ 70° C
- **Relative Humidity:** 5 ~ 95% (non-condensing)
- **Shock Resistance:** 20 G @ wall mounting, duration 11 ms  
(tested to IEC 60068 2-27)
- **Vibration Resistance:** 2 Grms @ wall mounting, random, 5 ~ 500 Hz, 3-axes,  
1 hr/axis. (Tested to IEC 60068-2-64)

### General

- **Dimensions (W x H x D):** 54 x 151 x 38 mm
- **Weight:** 120 g
- **Mounting:** DIN-rail, wall (panel)
- **Power Consumption:** 1.3 W @ 24 VDC

## 4.2 APAX-5001 1-slot Backplane Module

APAX-5001 functionality is the same as APAX-5002. And it is used to be connected at the right side of APAX-5002 when the total I/O module number is odd. Power and data can be transferred to I/O modules inserted on the APAX-5001. If the APAX-5001 is power-on, you can see the LED lit on to indicate the module is working well.

## APAX-5001 Specifications

### Environment

- **Operating Temperature:** -10 ~ 60° C
- **Storage Temperature:** -40 ~ 70° C
- **Relative Humidity:** 5 ~ 95% (non-condensing)
- **Shock Resistance:** 20 G @ wall mounting, duration 11 ms  
(tested to IEC 60068 2-27)
- **Vibration Resistance:** 2 Grms @ wall mounting, random, 5 ~ 500 Hz, 3-axes,  
1 hr/axis. (Tested to IEC 60068-2-64)

### General

- **Dimensions (W x H x D):** 28 x 151 x 38 mm
- **Weight:** 70 g
- **Mounting:** DIN-rail, wall (panel)
- **Power Consumption:** 0.3 W @ 24 VDC



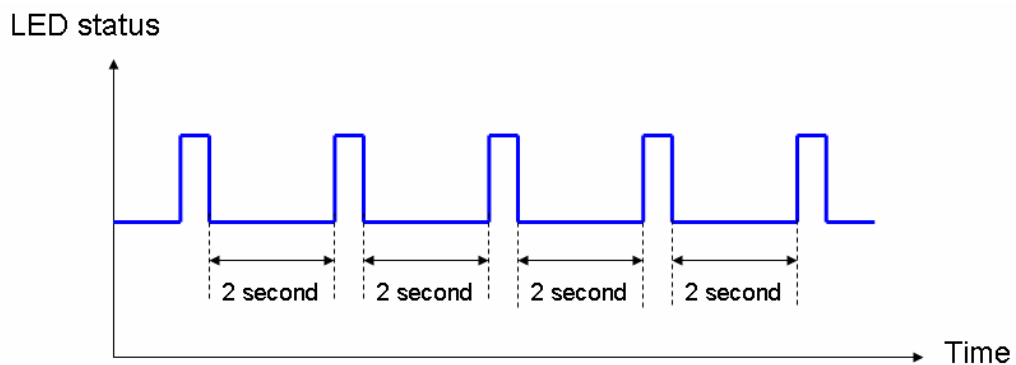
# Chapter 5

Error Handling and  
Diagnostics

## 5.1 Error Handling and Diagnostics

There is one power LED on the front panel of any APAX-5000 I/O module. When the module is power-on, the LED will be lit. For analog I/O module, the LED color is green. For digital I/O module, the LED color is green or orange, depending on the module ID number. Refer to Section 1.6 for more details. Except for showing the module power status and ID number, this LED is also designed to diagnose module status.

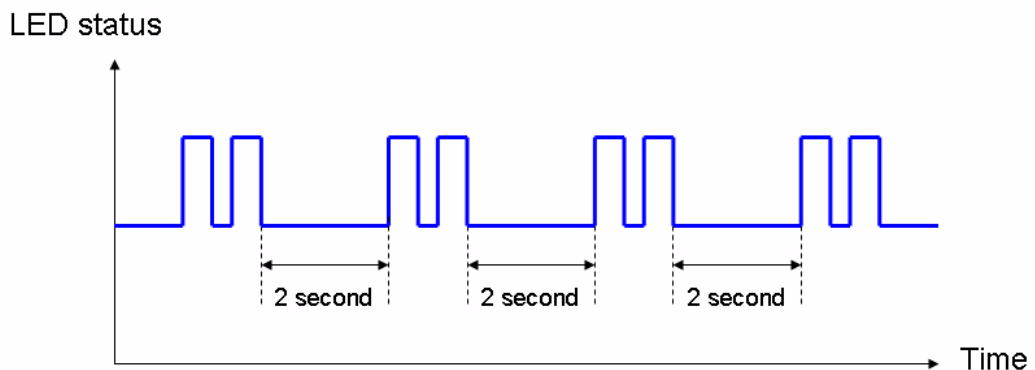
- LED continues flashing one time every 2 seconds



**Representation:** The I/O modules has problem itself

- Solution:**
1. Download latest firmware again to see if it works well.
  2. If the LED continues flashing after updating firmware, then you need to contact Advantech for technical support.

- LED continues flashing 2 times every 2 seconds

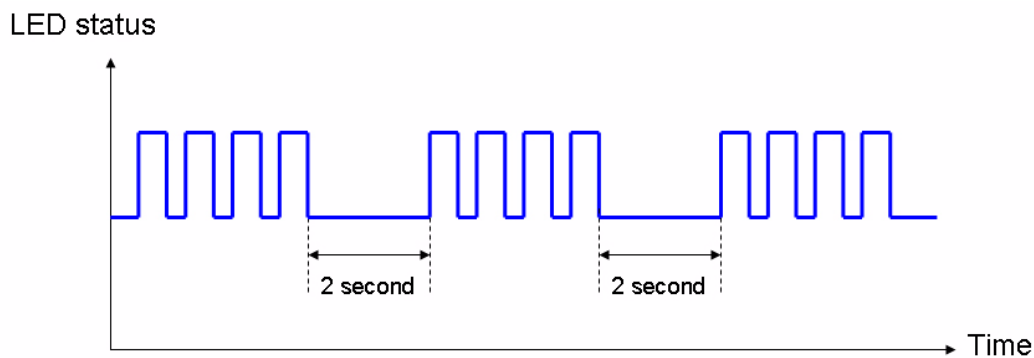


**Representation:** The I/O modules has communication problem

- Solution:**
1. Check if the controller or coupler is installed and power-on.
  2. If controller or coupler is installed, check if the Ethernet connection is broken when you have remote expansion.
  3. If the networking is okay (or there is remote expansion in the system), check if any backplane is broken.
  4. If backplanes are all fine, download latest firmware again to see if it works well.
  5. If the LED continues flashing after updating firmware, then you need to contact Advantech for support.



- LED continues flashing 4 times every 2 seconds



**Representation:** ID number of that I/O module conflicts with ID number of another I/O module

- Solution:**
1. Check ID number of all I/O modules in the same system. Adjust the ID number to avoid different I/O modules with the same ID number. Refer to Section 1.6 for how to adjust ID number. Then reboot the system and it should work fine. (The LED should stop flashing)
  2. If the LED continues flashing after you have adjusted the ID number, then you need to contact Advantech for technical support.

