

# ARK-3440

High Performance Solution with Intel® Core™ i7, PCIe Expansion and Dual SATA HDDs for Image Processing and Surveillance Applications

**NEW**



## Features

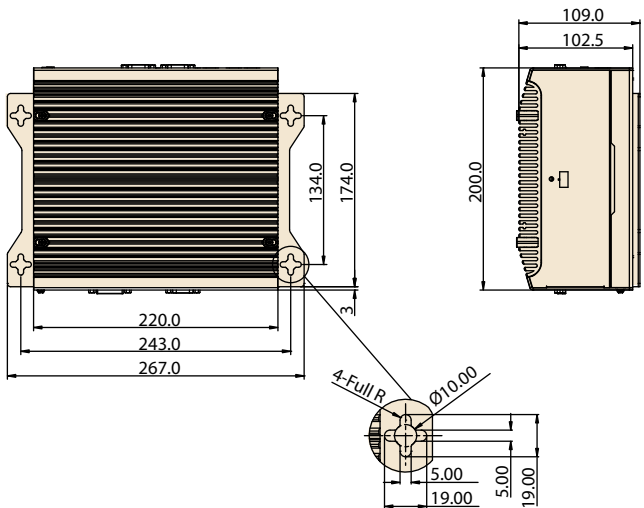
- Fanless, Intel® Core™ i7 Calpella Embedded Box IPC
- Multi-display and support for wide screen with high resolution
- Support 2 GbE, eSATA, 6 USB 2.0, audio and 3 COM ports
- Two internal 2.5" SATA HDD drive bays
- Various expansion interfaces for diverse applications
- 6 programmable function keys (for ARK-3440A available only)
- Easy integration, easy maintenance, and wide input voltage range
- IP40



## Specifications

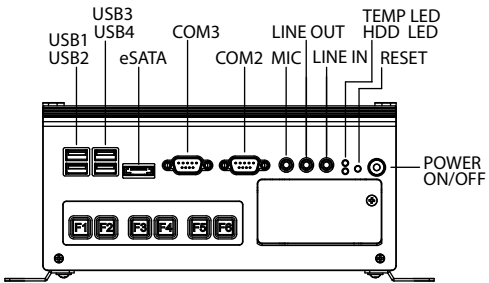
Processor System	CPU	Intel® Core i7 SV up to 2.53 GHz	Intel® Core i5 SV 2.4GHz
	System Chipset	Intel™ QM57 Chipset	
	BIOS	AMI 64 Mbit, SPI	
Memory	Technology	DDR3 1066 MHz	
	Max. Capacity	4 GB	
	Socket	2 x 204-pin SODIMM	
Graphics	Chipset	Integrated graphics built in Intel® QM57	
	Interface	CRT Interface (Optional by cable) DVI Interface, compliant with DVI 1.0 HDMI 1.3 24-bit LVDS interface(Optional)	
Ethernet	LAN 1	10/100/1000 Mbps Ethernet controller, support Wake On LAN	
	LAN 2	10/100/1000 Mbps Ethernet controller, support Wake On LAN	
Audio	Amplifier	Dual output 2.2 W amplifier	
	Interface	Spkr-out, Mic-in, Line-in	
IO interface	Serial Interface	2 x RS-232 ports and 2 x RS-232/422/485 ports (RS485 with autoflow control)	
	USB Interface	6 x USB ports, (with optional 2 additional) Compliant with USB 2.0	
Others	Digital I/O	Support 16 bit Digital IO (optional)	
	Thermal alarm	Yellow LED lighting	
	Watchdog timer	255 levels timer interval, setup by software	
	Function Key	6 programmable functional keys (for ARK-3440A available only)	
Expansion	ISA/PCI/PCIe Slot	1 Slot PCI and 1 Slot PCIe x1 (default); 2 Slots PCIe x1 (optional)	
	Mini PCI/Mini PCIe	2 x Mini PCIe	
Storage	HDD	Supports drive bay space for 2 x SATA 2.5" HDD	
	SSD	Supports CompactFlash socket for type I/II CompactFlash disk	
Software support	Microsoft Windows	Win 7, XP Professional, XP Embedded	
	Linux	Fedora 9	
Power requirement	Power Type	AT/ATX	
	Power Input Voltage	9 V <sub>DC</sub> ~ 34 V <sub>DC</sub>	
	Minimum Power Input	TBD	
	Power Adapter	AC to DC, DC19V/7.89A, 150W (Optional)	
Power consumption	Typical		
	Max.		
Mechanical	Construction	Aluminum housing	
	Mounting	Desk/wall-mounting	
	Dimensions (W x H x D)	220 mm x 102.5 mm x 200 mm (8.66" x 4.04" x 7.87")	
	Weight	4 kg (8.8 lb)	
Environment	Operating Temperature	With Industrial Grade CompactFlash disk: 0 ~ 50° C With 2.5-inch extended temperature hard disk -20 to 45° C, with air flow	
	Storage Temperature	-40 ~ 85° C (-40~185°F)	
	Relative Humidity	95% @ 40° C (non-condensing)	
	Vibration Loading During Operation	With CompactFlash disk: 5 Grms, IEC 60068-2-64, random, 5 ~ 500 Hz, 1 Oct./min, 1 hr/axis. With 2.5-inch hard disk: 1 Grms, IEC 60068-2-64, random, 5 ~ 500 Hz, 1 Oct./min, 1 hr/axis.	
	Shock During Operation	With CompactFlash disk: 50 G, IEC 60068-2-27, half sine, 11 ms duration With hard disk: 20 G, IEC 60068-2-27, half sine, 11 ms duration	
	EMC	CE/FCC Class A, CCC, BSMI	
	Safety Certifications	UL, CCC, BSMI	

**Dimensions**



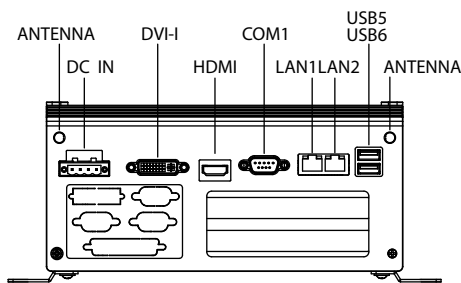
Unit: mm

**Front Panel External I/O Mechanical Layout/Drawing**



ARK-3440A

**Rear Panel External I/O Mechanical Layout/Drawing**



ARK-3440A

**Packing List**

Part Number	Description
-	1 x ARK-3440 Unit
1960014487T00C	2 x Desk/Wall mount plate
1652003234	1 x 4-pin Phoenix DC power connector
1654000446	1 x DVI-I to CRT connector
-	1 x Utility CD

**Optional Items**

Part Number	Description
1757002161	AC-to-DC Adapter, DC19 V/7.89A 150W, with Phoenix Power Plug, 0 ~ 40° C for Home and Office Use
1702002600	Power cable 3-pin 180 cm, USA type
1700004713	CABLE DVI-I to DVI and CRT
9896R01000E	2 Slot Riser Card, 1 x PCIe1 + 1 x PCI
9896R00900E	2 Slot Riser Card, 2 x PCIe1

**Ordering Information**

Part Number	Description
ARK-3440F-U5A1E	Intel Core i7 Compact Embedded Box IPC
ARK-3440F-U4A1E	Intel Core i5 Compact Embedded Box IPC
ARK-3440A-U5A1E	Intel Core i7 Compact Embedded Box IPC with 6 programmable function keys
ARK-3440A-U4A1E	Intel Core i5 Compact Embedded Box IPC with 6 programmable function keys