

PCA-6743

DM&P Vortex86DX ISA Half-size SBC with LVDS/LAN/PC104/CFC/8 COM

NEW



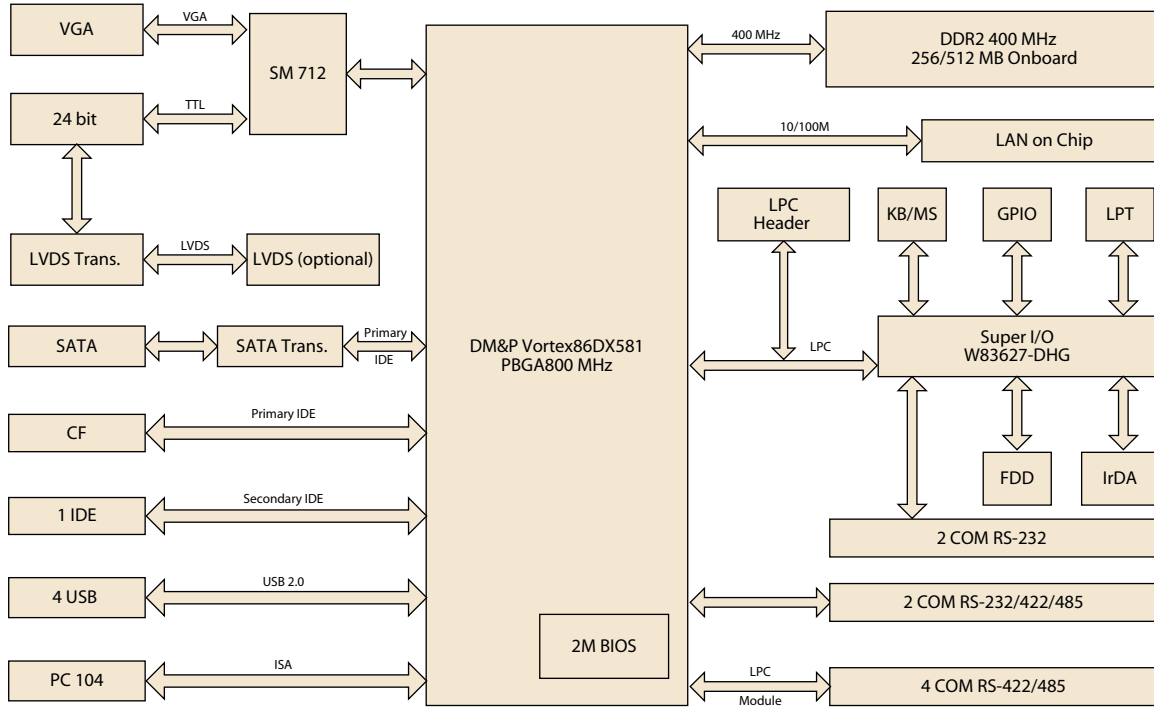
Features

- Ultra low power, fanless DM&P Vortex86DX processor and 512/256 MB on-board DDR2 memory
- CRT+LCD dual video outputs
- Integrate floating-point unit and supports FDD/PC104
- Optional module for 4 x RS-485 w/auto-flow control

Specifications

Processor System	CPU	DM&P Vortex86DX	
	Max. Speed	800 MHz	
	L1 Cache	16 KB I/D-Cache	
	L2 Cache	256 KB	
	Chipset	DM&P Vortex86DX	
	BIOS	Award integrated 256 KB ROM in DM&P Vortex86DX	
Bus	ISA	Full 16-bit ISA Bus signal	
Memory	Technology	Default onboard DDR2 256MB (For VE SKU) Default onboard DDR2 512MB (For F SKU)	
	Socket	No	
Graphics	Controller	Chipset integrated VGA controller VGA mode: SM712 graphics chip supports 1024 x 768 @ 24-bit true color LCD mode: SMI SM712 2D graphics chip supports 1024 x 768 @ 18/24 bit TFT	
	VRAM	4-MB display display memory	
	LVDS	Yes (Optional)	
	TTL	Up to 24-bit TTL for TFT LCD	
	Dual Display	Supports CRT+LCD simultaneously display	
Ethernet	Interface	10/100 Mbps	
	Controller	LAN on Vortex86DX	
	Connector	RJ-45 x 1	
EIDE	Mode	UDMA 100	
	Channel	1 (2 IDE devices from secondary IDE)	
SATA (150 MB/s)	Port	1 (F SKU)	
I/O Interface	USB	4 (USB 2.0 port)	
	Serial	6/8 COM (For VE/F SKU), 2/4 on board (2 of RS-232 (For F SKU) and 1 of RS-232/RS-422/485 with Pin header, 1 of RS-232/RS-422/485 on rear I/O for F SKU), (1 of RS-232 with pin header, 1 of RS-232 on rear I/O for VE SKU) 4 by PCA-COM485 module (4 x RS-422/485 w/auto-flow)	
	Parallel	1 (EPP/ECP/SPP)	
	FDD	1	
	GPIO	8-bit 4in/4out	
	PS/2	6-pin DIN socket on bracket for PS/2 keyboard and mouse. 6-pin (2.54 mm) wafer box connector for keyboard only	
Watchdog Timer	Output	System reset/IRQ11	
	Interval	255 level timer interval	
Miscellaneous	Audio Output	-	
	Solid State Disk	Compact Flash socket (Type I/II) from secondary master	
Power Requirement	Voltage	+12 V	+5 V
	Current	0.04 A	1.44 A
Environment	Temperature	Operating	Non-Operating
		0 ~ 60° C (32 ~ 140° F) (operating humidity: 40° C @ 85% RH Non-Condensing)	-40° C ~ 85° C and 60° C @ 95% RH Non-Condensing
Physical	Dimensions	185 mm (L) x 122 mm (W) (7.3" x 4.8")	

Board Diagram



Ordering Information

P/N	VAG	TTL	LVDS	SATA	COM	PC104	LPT	FDD	Onboard RAM
PCA-6743VE-Q0A1E	1	1	Optional	-	2 RS-232	-	1	1	256 MB
PCA-6743F-Q0A1E	1	1	Optional	1	2 RS-232 2 RS-232/422/485	1	1	1	512 MB

Bracket View



PCA-6743VE-Q0A1E
PCA-6743F-Q0A1E

Packing List

Part Number	Description	Quantity
1700060202	Y cable for PS/2 keyboard, PS/2 mouse	1
1701400607	E-IDE (HDD) cable (2.54 mm 40P 600 mm)	1
1700014398	4-port USB cable kit (2.0 mm pitch)	1
1701340705	FDD cable (2.54 mm 700 mm) (For F SKU)	1
1701260305	COM2 (2.54 mm) + LPT (2.54 mm) cable (For F SKU)	1
1700008762	Dual-COM port cable kit for COM 3-4 (2.00 mm) (For F SKU)	1

Optional Accessories

Part Number	Description
PCA-COM485	4 x RS-422/485 COM module
1700003194	Serial ATA HDD data cable
1703150102	Serial ATA HDD power cable
MBPC-641BP-60E	4-slot chassis w/150W power supply
IPC-6806SB-15ZB	6-slot chassis w/150W power supply
1700014398	4-port USB cable kit (2.0 mm pitch)