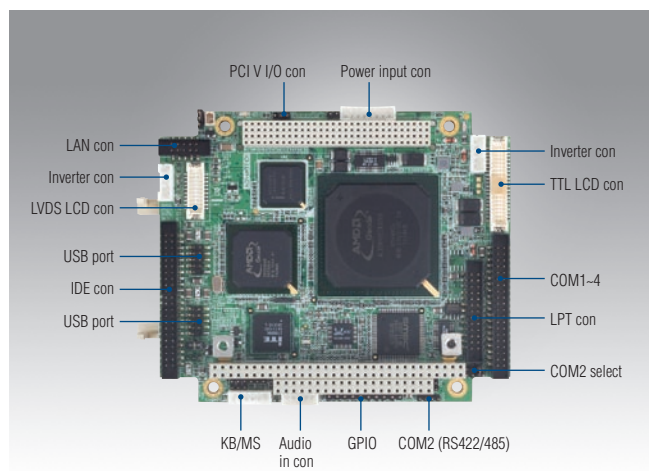


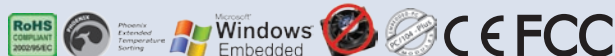
# PCM-3353

## AMD LX800 PC/104-Plus CPU Module



### Features

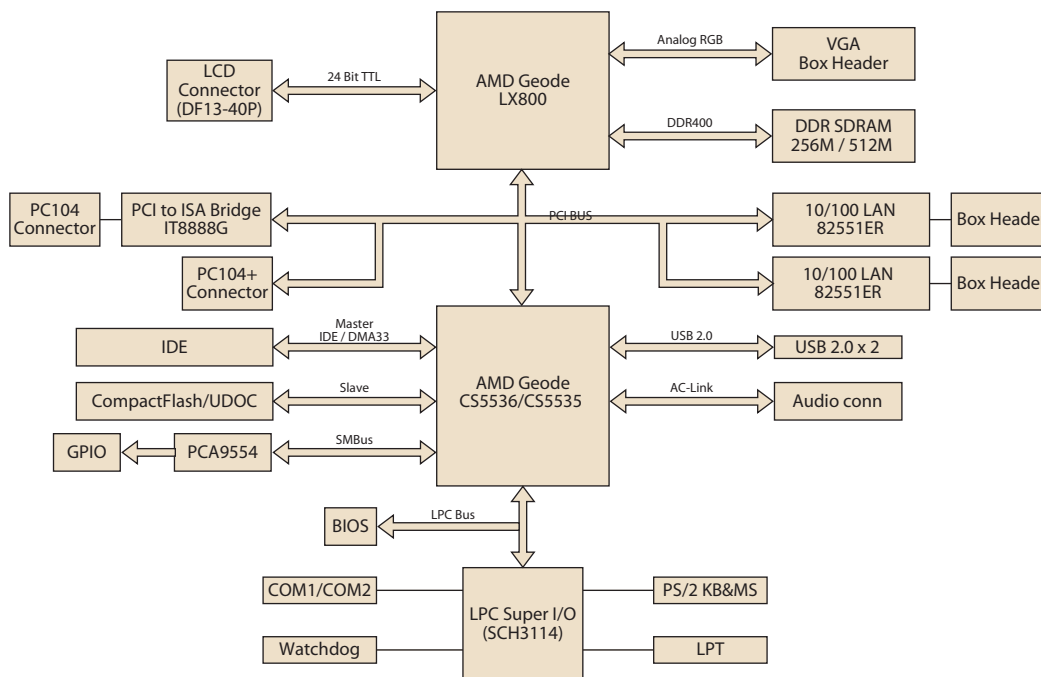
- AMD low power LX800/500 MHz Processor
- Supports DDR memory
- 18/24-bit TFT LCD interface
- 18-bit LVDS LCD interface
- 10/100 Mbps Ethernet
- Supports three RS-232, one RS-232/422/485, and four USB 2.0 ports
- PC/104-Plus expansion connector
- Supports AC97 2.0 compliant Audio



### Specifications

Processor System	CPU	AMD Geode™ LX800, 500 MHz
	L2 Cache	128 KB
	Chipset	AMD Geode LX800
	BIOS	Award 4-Mbit
Memory	Technology	DDR 333/400 MHz
	Max. Capacity	1 GB
	Socket	1 x 200-pin SODIMM
SSD	CompactFlash	Card Type I
I/O Interface	LPT	1
	RS-232	3
	RS-232/422/485	1
	K/B	1
	Mouse	1
	USB	4 x USB 2.0
	Audio	AC97, Line-in, Line-out, Mic-in
	GPIO	8-bit general purpose Input/Output
EIDE	Mode	UDMA 33
	Channel	1
Expansion Slot	PCI/104-Plus	1
Ethernet	Speed	10/100 Mbps
	Controller	Intel 82551ER
	Interface	1 x RJ-45 by cable
Display	Controller	AMD Geode LX800
	VRAM	Optimized Shared Memory Architecture up to 64 MB system memory
	TTL LCD	1 x 24-bit TTL
	LVDS LCD	1 x 18-bit LVDS
Environment	Dual Simultaneous Display	CRT + TTL, CRT + LVDS
	Operating Temperature	0 ~ 60° C (32 ~ 140° F)
	Operating Humidity	0% ~ 90% relative humidity, non-condensing
Power	Power Type	AT
	Power Supply Voltage	5V only to boot up (12 V is optional for LCD inverter and add on card)
	Power Consumption: Typical (WinXP Idle Mode)	+5 V @ 1.35 A, +12 V @ 0.1 A
	Power Consumption: Max, Test in HCT	+5 V @ 1.51 A, +12 V @ 0.1 A
	Power Management	APM1.2
	Battery	Lithium 3 V / 196 mAH
Watchdog Timer	Output	System reset
	Interval	Programmable 1 ~ 255 sec
Physical Characteristics	Dimensions (L x W)	96 x 115 mm (3.8" x 4.5")
	Weight	0.162 kg (0.357 lb) (with heat-sink)

## Board Diagram



## Ordering Information

Part No.	CPU	Chipset	CRT	TTL	LVDS	LAN	USB2.0	RS-232	RS232/422/485	LPT/KB/MS	Audio	PC/104+ connector	Thermal Solution	Operating Temp.	Embedded OS
PCM-3353F-LOA1E	AMD LX800	CS5536	Yes	18/24-bit	18-bit	1 FE	4	3	1	Yes	Yes	Yes	Passive	0 - 60° C	Optional
	AMD LX800	CS5536	Yes	18/24-bit	18-bit	1 FE	4	3	1	Yes	Yes	Yes	Passive	-20 - 80° C	Optional
	AMD LX800	CS5536	Yes	18/24-bit	18-bit	1 FE	4	3	1	Yes	Yes	Yes	Passive	-40 - 85° C	Optional

Note: For wide temperature, please contact sales rep.

## Packing List

Part No.	Description	Quantity
	PCM-3353 SBC	1
1700003491	AT Power cable	1
1700000918	Audio cable	1
1701400181	Four COM cable	1
1703040157	RS-422/485 COM cable	1
1703060053	Keyboard/Mouse cable	1
1700060202	Y cable (for KB/MS extension)	1
1701100202	Ethernet RJ-45 Conn. conversion cable	1
1700260250	LPT port cable	1
1701440350	IDE cable 44P/44P/44P	1
1700000898	VGA cable	1
1703100121	USB cable (bracket type with two USB ports)	2
	Startup manual	1
	CD-ROM (Manual, Driver, Utility)	1