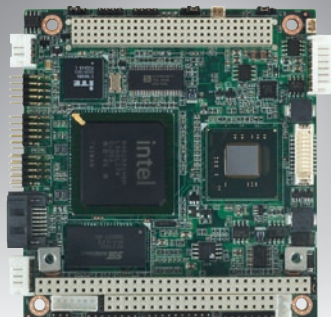


PCM-3362

Intel® Atom N450 PC/104-Plus SBC, CRT, LVDS, LAN, USB, COM, SATA, On-board Flash

NEW



Features

- Intel® Atom N450 1.67 GHz Processor and DDR2 667 SDRAM up to 2 GB
- Supports extended temperature -40 ~ 85° C
- Standard 96 x 90 mm dimension and PC/104-Plus expansion connector
- On board 2 GB flash (4 GB optional)
- Supports embedded software APIs and Utilities
- Software API: Watchdog/GPIO/Hardware Monitor/I²C/Brightness/Backlight on/off/Speedstep/throttling
- Software Utility: Monitoring/eSOS/Embedded Security ID

Software APIs:



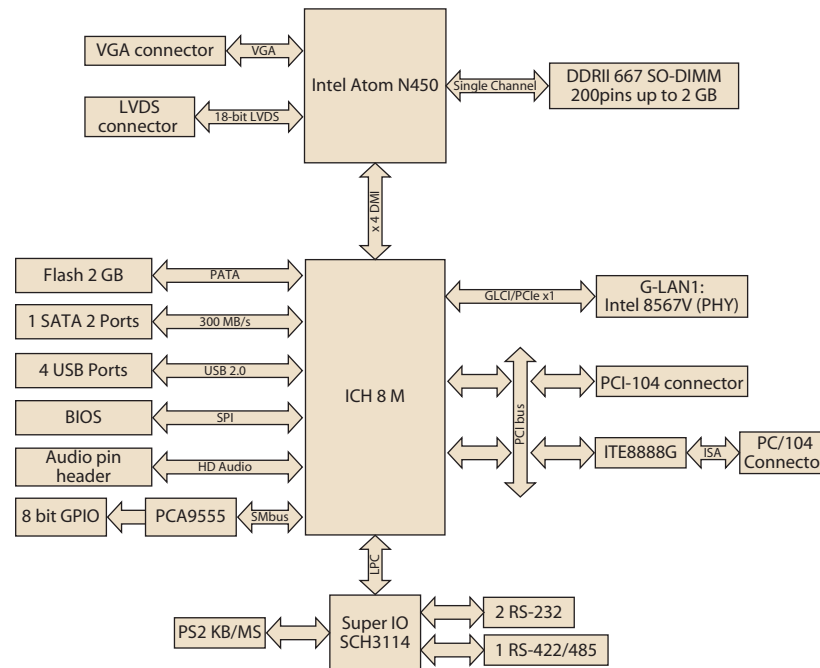
Utilities:



Specifications

Processor System	CPU	Intel Atom N450 1.67 GHz
	Front Side Bus	667 MHz
	Frequency	1.67 GHz
	L2 Cache	512 KB
	System Chipset	Intel Atom N450 + ICH8M
	BIOS	AMI 16 Mbit
Memory	Technology	DDR2 667 MHz
	Max. Capacity	2 GB
	Socket	1 x 200-pin SODIMM
Display	Chipset	Intel Atom N450 1.67 GHz
	VRAM	Shared system memory up to 224 MB
	Graphic Engine	Intel Gen 3.5 DX9, MPEG2 Decode in HW Embedded Gen3.5+ GFX Core
	LVDS	Single channel 18-bit LVDS up to WXGA 1366 x 768
	CRT	Supports up to SXGA 1400 x 1060 @ 60 Hz
	Dual Display	CRT+LVDS
Ethernet	Speed	10/100/1000 Mbps
	Controller	Intel 82567V
	Connector	Pin header
WatchDog Timer		Output System reset Programmable 1 ~ 255 sec
Storage	SATA	1
	On board Flash	2 GB
Internal I/O	USB	4 x USB 2.0
	Serial	2 RS-232, 1 RS-422/485
	KB/Mouse	1
	GPIO	8-bit general purpose input/output
	I ² C	1
Expansion	PC/104-Plus slot	1
Power	Power Type	AT/ATX
	Power Supply Voltage	5V only to boot up (12 V is optional for LCD inverter and add on card)
	Power Consumption (Typical)	+5 V @ 2 A, +12 V @ 5mA
	Power Consumption (Max, test in HCT)	+5 V @ 2.37 A, +12 V @ 7mA
	Battery	Lithium 3 V / 210 mAH
Environment	Operation	0 ~ 60° C (32 ~ 140° F) (operation humidity: 40° C @ 85% RH Non-Condensing)
	Non-Operation	-40° C ~ 85° C and 60° C @ 95% RH Non-Condensing
Physical Characteristics	Dimensions (L x W)	96 x 90 mm (3.8" x 3.5")
	Weight	0.162 kg (0.357 lb) (with heat-sink)

Board Diagram



Ordering Information

Part No.	CPU	Chipset	On board flash	CRT	TTL	LVDS	LAN	USB2.0	RS-232	RS-422/485	Operating Temp.	Embedded OS
PCM-3362N-S6A1E	Atom N450	ICH8M	2 GB	Yes	-	18-bit	1 GbE	4	2	1	0 ~ 60° C	Optional
PCM-3362Z-1GS6A1E	Atom N450	ICH8M	2 GB	Yes	-	18-bit	1 GbE	4	2	1	-20 ~ 80° C	Optional
PCM-3362Z2-1GS6A1E	Atom N450	ICH8M	2 GB	Yes	-	18-bit	1 GbE	4	2	1	-40 ~ 85° C	Optional

Packing List

Part No.	Description	Quantity
	PCM-3362 SBC	
	Startup Manual	
	Utility CD	
1700000898	VGA cable D-SUB 15P(F)/12P-1.25 mm15 cm	x1
1700003491	AT power cable 1 x 8P-2.0/B4P-5.08 x 2 15 cm	x1
1700060202	Cable 6P-6P-6P PS/2 KB & Mouse 20 cm	x1
1703040157	RS-422/485 W/D-SUB COM 4P 15 cm	x1
1703060053	PS2 Cable 6P (MINI-DIN)-6P (Wafer 2.0 mm) 6 cm	x1
1700002332	ATX power cable 20P-13P/8P/3P/3P 13 cm	x1
1703100260	USB cable 2port 2.0 mm pitch w/ bracket 26 cm	x1
1700071000	SATA data cable 7p 100 cm	x1
1703150102	SATA power cable B4P-5.08/SATA 15P 10 cm	x1
1701200220	RS-232 x 2 ports 2.0 mm 22 cm	x1
1700017863	LAN cable RJ45/2 x 5P-2.0 15 cm	x1
9660104000	PC/104 screw and copper post package	x1

Optional Items

Part No.	Description
1960047106T001	PCM-3362 heatspreader

Embedded OS

Part No.	Description
WinCE 6.0	TBD
Win XPE	2070009030: XPE WES2009 Luna Pier V4.0 ENG 2070009031: XPE WES2009 Luna Pier V4.0 MUI24
SUSI	205E362000: SUSI 3.0 SW API for PCM-3362 B:20091015 XP