

TPC-1770H

17" SXGA TFT LCD Celeron® M Touch Panel Computer

NEW



Features

- Intel® Celeron® M Processor up to 1 GHz on board
- 17" SXGA TFT LCD
- Compact design with Die-cast Al alloy front bezel
- Fanless cooling system
- NEMA4/IP65 compliant front panel
- Supports Microsoft® Windows Vista/XP/WinXPe and WinCE
- Downward I/O cabling
- Gigabit Ethernet and Fast Ethernet supported

Introduction

With a high quality TFT LCD display, TPC-1770H is designed with the Intel Celeron M 1 GHz processor as its core. The Intel Celeron M has low power consumption and 1 GHz operating frequency. This system is fanless although the kernel is powerful. In addition, spindle-free storage makes the TPC-1770H a durable and reliable platform. For applications where spindle-free storage is not critical, a fast-access HDD module can be used. The rich I/O portfolio meets diverse requests.

Specifications

General

- **BIOS** Award® 4 MB
- **Certifications** BSMI, CCC, CE, FCC, UL
- **Cooling System** Fanless design
- **Dimensions (W x H x D)** 414 x 347.5 x 93 mm (16.3" x 13.68" x 3.66")
- **Enclosure** Front bezel: Die-Casting Aluminum alloy
Back housing: ABS + PC
- **Mounting** Desktop, Wall or Panel Mount
- **OS Support** Microsoft Vista/XP/XPe and WinCE
- **Power Consumption** 100 W Typical
- **Power Input** 18 ~ 32 V_{DC}
- **Watchdog Timer** 1 sec (system)

System Hardware

- **Audio Ports** 1 x MIC-in, 1 x Line-out, 1 x Line-in
- **CPU** Intel Celeron M 1 GHz
- **Expansion Slots** 1 x CompactFlash® slot
- **Graphics Controller** Intel 915 GME
- **Keyboard/Mouse Ports** 1 x KB, 1 x Mouse
- **LAN** 2 x 10/100/1000Base-T
- **Memory** 512MB DDR2 SDRAM
- **Serial Ports** 3 x RS-232
- **Storage** 1 x 2.5" SATA HDD (optional)
- **USB Ports** 4 x USB 2.0
- **Video Ports** 1 x VGA

LCD Display

- **Display Type** SXGA TFT LCD
- **Display Size** 17"
- **Max. Resolution** 1280 x 1024
- **Max. Colors** 16.7 M
- **Luminance cd/m2** 300
- **Viewing Angle (H/V°)** 160/160
- **Backlight Life** 50,000 hrs
- **Contrast Ratio** 800:1

Touchscreen

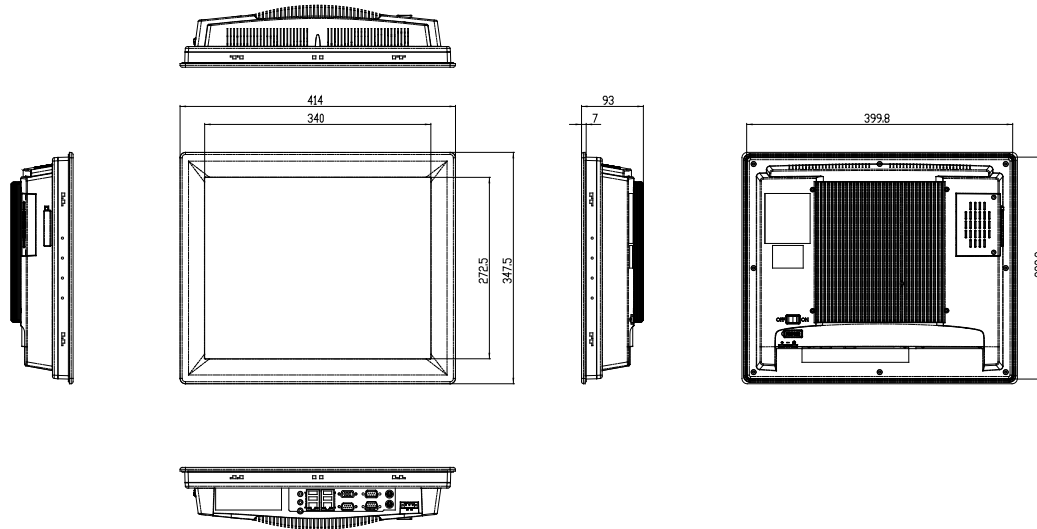
- **Lifespan** 1 million touches at single point
- **Light Transmission** Above 75%
- **Resolution** Linearity
- **Type** 8-wire, analog resistive

Environment

- **Humidity** 10 ~ 95% RH @ 40° C, non-condensing
- **Ingress Protection** Front panel: NEMA4, IP65
- **Operating Temperature** 0 ~ 45° C (32 ~ 113° F)
- **Storage Temperature** -20 ~ 60° C (-4 ~ 140° F)
- **Vibration Protection** With HDD: 1 grms (5 ~ 500 Hz)
(Operating, random vibration)

Dimensions

Unit: mm

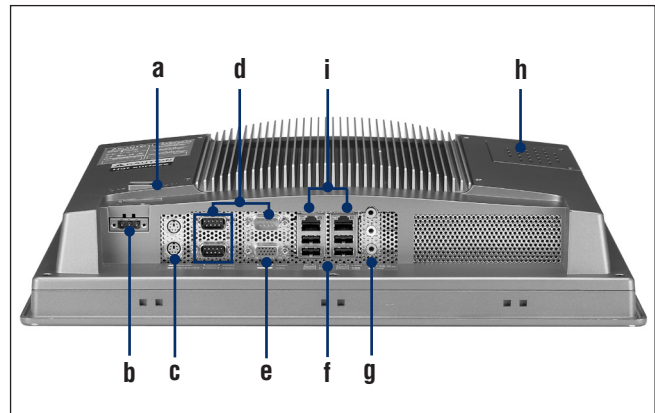


Panel Cut-out Dimensions: 400.8 x 334.3 mm

Ordering Information

- **TPC-1770H-C1AE** 17" SXGA TFT LCD with Intel Celeron M 1 GHz CPU, 512 MB DDR2 SDRAM
- **9688244000** 24V 110W AC-DC Power Adapter

Rear View



- | | |
|-----------------------|-----------------------------------|
| a. Power Switch, Fuse | f. USB 2.0 |
| b. Power Receptor | g. Audio (Line-In, Line-Out, MIC) |
| c. PS/2 | h. 2.5" SATA HDD Housing |
| d. COM (RS-232) | i. LAN (10/100/1000) |
| e. VGA | |