

UNO-1170/1170E

**Pentium M / Celeron M Fanless,
DIN-rail Mounted Embedded
Automation Computer with 2 x LAN,
3 x COM, 4 x USB, Audio & PC/104+**

User Manual

Copyright Notice

The documentation and the software included with this product are copyrighted 2009 by Advantech Co., Ltd. All rights are reserved. Advantech Co., Ltd. reserves the right to make improvements in the products described in this manual at any time without notice. No part of this manual may be reproduced, copied, translated or transmitted in any form or by any means without the prior written permission of Advantech Co., Ltd. Information provided in this manual is intended to be accurate and reliable. However, Advantech Co., Ltd. assumes no responsibility for its use, nor for any infringements of the rights of third parties, which may result from its use.

Acknowledgements

IBM, PC/AT, PS/2 and VGA are trademarks of International Business Machines Corporation.

Intel® and Pentium® are trademarks of Intel Corporation.

Microsoft Windows and MS-DOS are registered trademarks of Microsoft Corp.

C&T is a trademark of Chips and Technologies, Inc.

All other product names or trademarks are properties of their respective owners.

Part No. 2003117000

1st Edition

Printed in Taiwan

April 2009

Product Warranty (2 years)

Advantech warrants to you, the original purchaser, that each of its products will be free from defects in materials and workmanship for two years from the date of purchase.

This warranty does not apply to any products which have been repaired or altered by persons other than repair personnel authorized by Advantech, or which have been subject to misuse, abuse, accident or improper installation. Advantech assumes no liability under the terms of this warranty as a consequence of such events.

Because of Advantech's high quality-control standards and rigorous testing, most of our customers never need to use our repair service. If an Advantech product is defective, it will be repaired or replaced at no charge during the warranty period. For out-of-warranty repairs, you will be billed according to the cost of replacement materials, service time and freight. Please consult your dealer for more details.

If you think you have a defective product, follow these steps:

1. Collect all the information about the problem encountered. (For example, CPU speed, Advantech products used, other hardware and software used, etc.) Note anything abnormal and list any onscreen messages you get when the problem occurs.
2. Call your dealer and describe the problem. Please have your manual, product, and any helpful information readily available.
3. If your product is diagnosed as defective, obtain an RMA (return merchandise authorization) number from your dealer. This allows us to process your return more quickly.
4. Carefully pack the defective product, a fully-completed Repair and Replacement Order Card and a photocopy proof of purchase date (such as your sales receipt) in a shippable container. A product returned without proof of the purchase date is not eligible for warranty service.
5. Write the RMA number visibly on the outside of the package and ship it prepaid to your dealer.

CE

This product has passed the CE test for environmental specifications when shielded cables are used for external wiring.

FCC Class A

This equipment has been tested and found to comply with the limits for a Class A digital device, pursuant to part 15 of the FCC Rules. These limits are designed to provide reasonable protection against harmful interference when the equipment is operated in a commercial environment. This equipment generates, uses, and can radiate radio frequency energy and, if not installed and used in accordance with the manual, may cause harmful interference to radio communications. Operation of this equipment in a residential area is likely to cause harmful interference in which case the user will be required to correct the interference at his own expense.

Technical Support and Assistance

- Step 1. Visit the Advantech web site at **www.advantech.com/support** where you can find the latest information about the product.
- Step 2. Contact your distributor or Advantech's customer service center if you need additional assistance. Have the following info ready:
 - Product name and serial number
 - Description of your software (OS, version, software, etc.)
 - A complete description of the problem
 - The exact wording of any error messages

Packing List

Before setting up the system, check that the items listed below are included. If any item is not, please contact your dealer immediately.

- Software Supporting CD-ROM
- 6P-6P-6P 20cm PS/2 Mouse/Keyboard Y cable (P/N: 1700060202)
- Phoenix power connector (P/N: 1652003206)
- DIN-rail & wall mount accessories
- Key pro bracket
- SATA cable (UNO-1170E only)
- SATA power cable (UNO-1170E only)
- Spacer for PCI-104 expansion (UNO-1170E only)

Safety Instructions

1. Read these safety instructions carefully.
2. Keep this User's Manual for later reference.
3. Disconnect this equipment from any AC outlet before cleaning. Use a damp cloth. Do not use liquid or spray detergents for cleaning.
4. For plug-in equipment, the power outlet socket must be located near the equipment and must be easily accessible.
5. Keep this equipment away from humidity.
6. Put this equipment on a reliable surface during installation. Dropping it or letting it fall may cause damage.
7. The openings on the enclosure are for air convection. Protect the equipment from overheating. **DO NOT COVER THE OPENINGS.**
8. Make sure the voltage of the power source is correct before connecting the equipment to the power outlet.
9. Position the power cord so that people cannot step on it. Do not place anything over the power cord.
10. All cautions and warnings on the equipment should be noted.
11. If the equipment is not used for a long time, disconnect it from the power source to avoid damage by transient overvoltage.
12. Never pour any liquid into an opening. This may cause fire or electrical shock.
13. Never open the equipment. For safety reasons, the equipment should be opened only by qualified service personnel.
14. If one of the following situations arises, get the equipment checked by service personnel:
 - a. The power cord or plug is damaged.
 - b. Liquid has penetrated into the equipment.
 - c. The equipment has been exposed to moisture.
 - d. The equipment does not work well, or you cannot get it to work according to the user's manual.
 - e. The equipment has been dropped and damaged.
 - f. The equipment has obvious signs of breakage.
15. **DO NOT LEAVE THIS EQUIPMENT IN AN ENVIRONMENT WHERE THE STORAGE TEMPERATURE MAY GO BELOW**

-10° C (14° F) OR ABOVE 60° C (140° F). THIS COULD DAMAGE THE EQUIPMENT. THE EQUIPMENT SHOULD BE IN A CONTROLLED ENVIRONMENT.

16. CAUTION: DANGER OF EXPLOSION IF BATTERY IS INCORRECTLY REPLACED. REPLACE ONLY WITH THE SAME OR EQUIVALENT TYPE RECOMMENDED BY THE MANUFACTURER, DISCARD USED BATTERIES ACCORDING TO THE MANUFACTURER'S INSTRUCTIONS.

The sound pressure level at the operator's position according to IEC 704-1:1982 is no more than 70 dB (A).

DISCLAIMER: This set of instructions is given according to IEC 704-1. Advantech disclaims all responsibility for the accuracy of any statements contained herein.

Safety Precaution - Static Electricity

Follow these simple precautions to protect yourself from harm and the products from damage.

1. To avoid electrical shock, always disconnect the power from your PC chassis before you work on it. Don't touch any components on the CPU card or other cards while the PC is on.
2. Disconnect power before making any configuration changes. The sudden rush of power as you connect a jumper or install a card may damage sensitive electronic components.

Contents

Chapter 1	UNO-1170 Overview	2
1.1	Introduction	2
1.2	Hardware Specifications	2
1.3	Safety Precautions	3
1.4	UNO-1170 Series	4
1.5	Chassis Dimensions.....	4
	Figure 1.1:UNO-1170 Chassis Dimensions	4
	Figure 1.2:UNO-1170E Chassis Dimensions	5
Chapter 2	Hardware Functionality	8
2.1	UNO-1170 Peripherals.....	8
	Figure 2.1:UNO-1170 Front View	8
	Figure 2.2:UNO-1170 Top View	8
	Figure 2.3:UNO-1170E Front View	9
	Figure 2.4:UNO-1157E Top View	9
2.2	COM1~COM2: RS-232 Interfaces	10
2.3	COM3: RS-232/422/485 Interfaces	10
	2.3.1 TI 16C550 UARTs with 16-byte Standard	10
	2.3.2 Jumperless RS-422/485	10
	2.3.3 Automatic Data Flow Control Function for RS-485 ..	10
	2.3.4 RS-232/422/485 Selection	11
	Figure 2.5:RS-422/485 Jumper Settings	11
	Figure 2.6:RS-232 Jumper Settings	11
	2.3.5 Terminal Resistor Setup for RS-422/485	12
2.4	LAN: Ethernet Connector	13
2.5	Power Connector	13
2.6	LED Indicators	14
2.7	PS/2 Keyboard and Mouse Connector	14
2.8	Universal Serial Bus Connectors.....	14
2.9	VGA: VGA Display Connector	14
2.10	RESET: Reset Button.....	15
2.11	Audio.....	15
2.13	LED and Buzzer for System Diagnosis.....	15
2.14	PCI/104+ Connectors (UNO-1170E only).....	17
	Figure 2.7:RS-422/485 Jumper Settings	17
Chapter 3	Initial Setup.....	20
3.1	CompactFlash Card Installation	20
3.2	USB Keypro and Keypro Bracket Installation	22
3.3	Chassis Grounding	23
	Figure 3.1:Chassis Grounding Connection	23
3.4	Power Connection	23
3.5	PC/104+ Card Installation (UNO-1170E).....	24
3.6	Hard Drive installation (UNO-1170E).....	27
3.7	BIOS Setup and System Assignments	29

3.8	DIN-rail Mounting Setup	29
3.9	Wallmounting Setup.....	30
Appendix A	System Settings and Pin Assignments	32
A.2	Board Connectors and Jumpers.....	34
	Figure A.1:Connector & Jumper Locations (Top)	34
	Figure A.2:Connector & Jumpers (UNO-1170E)	36
A.3	RS-232 Serial Port (COM1~COM2).....	37
A.4	RS-232/422/485 Serial Port (COM3).....	38
A.5	Ethernet RJ-45 Connector (LAN1~LAN2).....	38
A.6	Power Screw Terminal (CN8).....	39
A.7	PS/2 Keyboard and Mouse Connector (CN10).....	39
A.8	USB Connector (CN13)	40
A.9	VGA Display Connector (CN15).....	40
A.10	SATA Data Connector (CN17).....	41
Appendix B	Programming the Watchdog Timer	44

UNO-1170 Overview

Sections include:

- Introduction
- Hardware Specifications
- Safety Precautions
- UNO-1170 Series
- Chassis Dimensions

Chapter 1 UNO-1170 Overview

1.1 Introduction

UNO-1170 is an DIN-rail mounted Embedded Automation Computer, which provides several serial communication ports and Ethernet interfaces. UNO-1170 is designed with a compact size, small footprint, and help to saves space with its front accessible and DIN-rail design. With rich OS and driver support, such as Windows XP embedded, WinCE 6.0, and even embedded Linux. You can integrate your applications easily with an application ready platform that can provide a versatile function to fulfill diverse requirements.

1.2 Hardware Specifications

- **CPU:** Pentium M 1.4GHZ / Celeron M 1 GHZ
- **Memory:** 512MB/1GB on board
- **Battery-backup RAM:** 512 KB Battery-backup RAM
- **VGA/Keyboard/Mouse:** DB-15 VGA Connector, Mini-DIN connector for PS/2 keyboard & mouse
- **Serial Ports:** 2 × RS-232 and 1 x RS-232/422/485 with DB-9 connectors. Automatic RS-485 data flow control
- **Serial Speeds:** RS-232: 50~115.2 kbps, RS-422/485: 50~921.6 kbps
- **LAN:** Two 10/100 Base-T RJ-45 Ports
- **USB interface:** Four USB ports, USB EHCI, Rev. 2.0 compliant. (Including 3 external connectors and 1 internal connector for USB dongle)
- **Audio:** Mic in, Line in, Line out
- **Storage:** SSD: 1 x internal type I/II CompactFlash slot
HDD: one 2.5" SATA HDD bracket (Only for UNO-1170E)
- **LEDs:** Power (Power Standby: Orange, Power on : Green), 3 pairs of serial flow indicators (Tx, Rx), -IDE, Alarm for RAM Backup Battery
- **PC/104+:** PC/104+ slot, Supports +5V Power (Optional, UNO-1170E only)
- **Mini PCI:** 1x MiniPCI (UNO-1170E only)
- **Shock Protection:** IEC 68-2-27, CompactFlash: 50G @ Wall mount, half sine, 11ms (Optional, for UNO-1170E: 20G @ wall mount, half sine, 11ms)

- **Vibration Protection:** IEC 68 2-64 (Random 1 Oct./min, 1hr/axis), CompactFlash: 2Grms@ 5~500Hz, (Optional, UNO-1170E only) HDD: 0.5 Grms @ 5~500Hz
- **Power Supply Voltage:** 10-36 VDC, reversed wiring protection
- **Power Requirement:** Min. 48 W (10 ~ 53 VDC) (e.g +24 V @ 2 A) (ATX)
- **Power Consumption:** 24W (Typical)
- **Operating Temperature:** -20~60° C (-4~149° F)
- **Storage Temperature:** -20~80° C (-4~176° F)
- **Relative humidity:** 95% @ 40°C
- **Weight:** 1.6KG (for UNO-1170) 2.0KG (for UNO-1170E)
- **Chassis size (W × L × H):** 85x155x140 mm (3.4"x 6.1"x 5.6") (UNO-1170)
110 x 155 x 140 mm (4.4" x 6.1" x 5.6") (UNO-1170E)
- **Software options:** WinXP Embedded, Win CE, Linux
- **Certification:** CE, FCC Class A, UL

1.3 Safety Precautions

The following sections tell how to make each connection. In most cases, you will simply need to connect a standard cable. All of the connector pin assignments are shown in Appendix A.

Warning!! *Always disconnect the power cord from your chassis when you are working on it. Do not connect while the power is on. A sudden rush of power can damage sensitive electronic components. Only experienced electronics personnel should open the chassis.*

Caution!! *Always ground yourself to remove any static electric charge before touching UNO-1170. Modern electronic devices are very sensitive to static electric charges. Use a grounding wrist strap at all times. Place all electronic components on a static-dissipative surface or in a static-shielded bag.*

1.4 UNO-1170 Series

There are four products in UNO-1170 series, as listed below:

UNO-1170-C11E	UNO-1170 with Intel Celeron M 1.0GHz CPU and 512MB RAM
UNO-1170-P12E	UNO-1170 with Intel Pentium M 1.4GHz CPU and 1GB RAM
UNO-1170E-C11E	UNO-1170 with Intel Celeron M 1.0GHz CPU, 512MB RAM, and PC/104+ expansion
UNO-1170E-P12E	UNO-1170 with Intel Pentium M 1.4GHz CPU, 1GB RAM and PC/104+ expansion

1.5 Chassis Dimensions

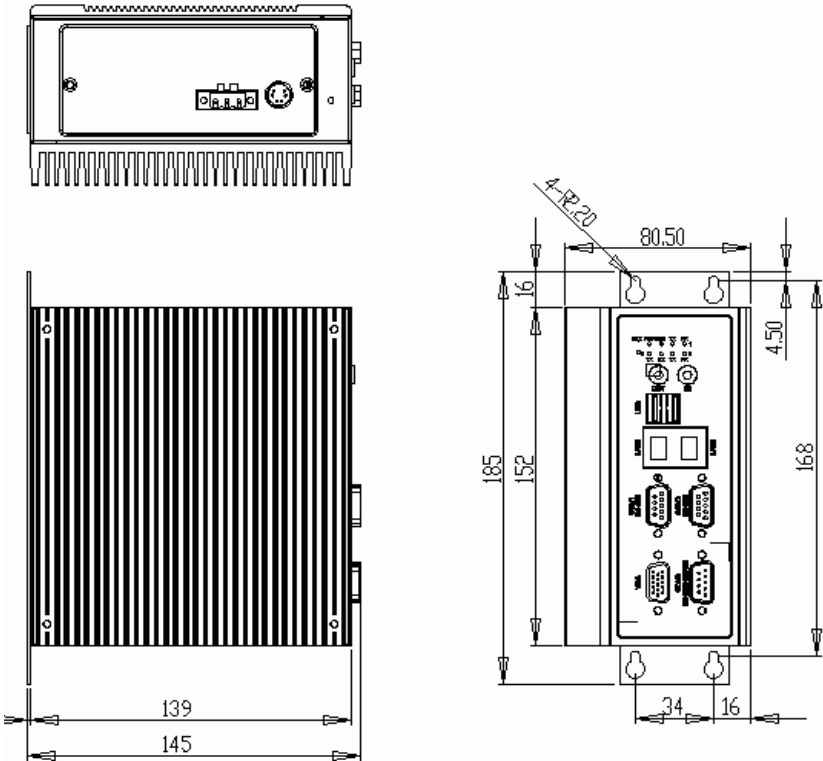


Figure 1.1: UNO-1170 Chassis Dimensions

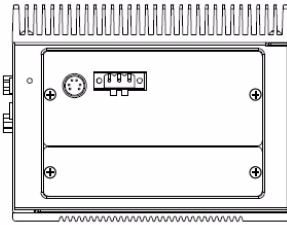
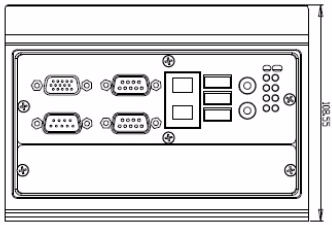
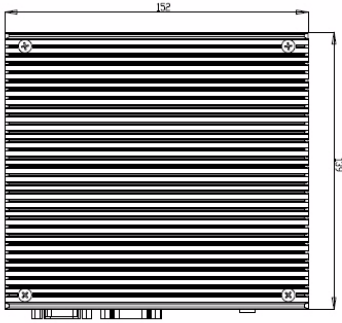


Figure 1.2: UNO-1170E Chassis Dimensions

Hardware Functionality

Sections include:

- UNO-1170 Peripherals
- COM1: RS-232 Interfaces
- COM2~3: RS-232/422/485 Interfaces
- LAN: Ethernet Connector
- Power Connector
- LED Indicators
- PS/2 Keyboard and Mouse Connector
- Universal Serial Bus Connectors
- VGA: VGA Display Connector
- RESET: Reset Button
- Audio
- PC/104+ Voltage Selection

Chapter 2 Hardware Functionality

2.1 UNO-1170 Peripherals

The following figures show the connectors on UNO-1170. and UNO-1170E. Information in this chapter is applied to both UNO-1170 and UNO-1170E. Therefore, in this chapter, we just mention UNO-1150 to represent the series product. The following sections give you detailed information about function of each peripheral.

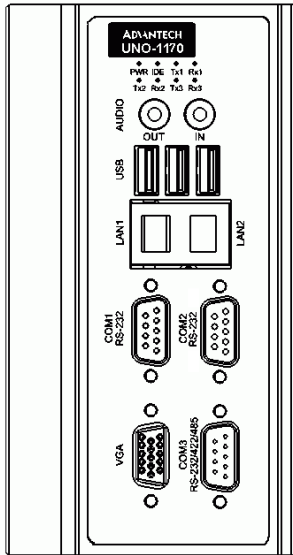


Figure 2.1: UNO-1170 Front View

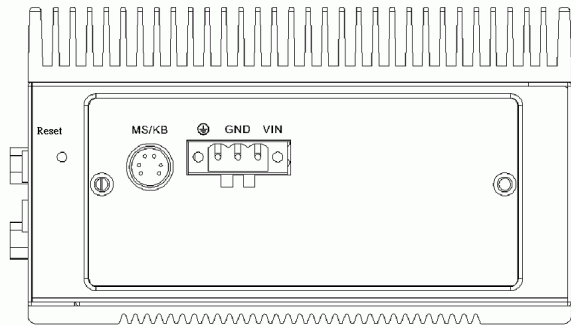


Figure 2.2: UNO-1170 Top View

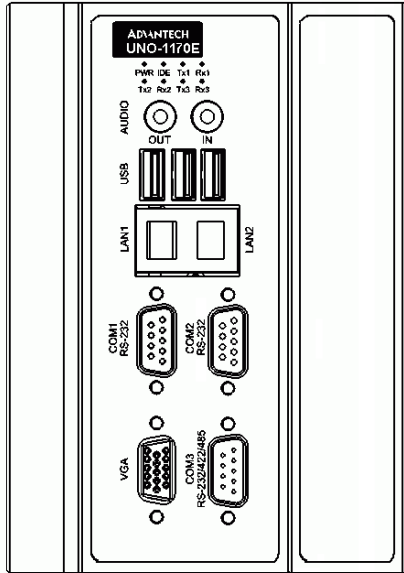


Figure 2.3: UNO-1170E Front View

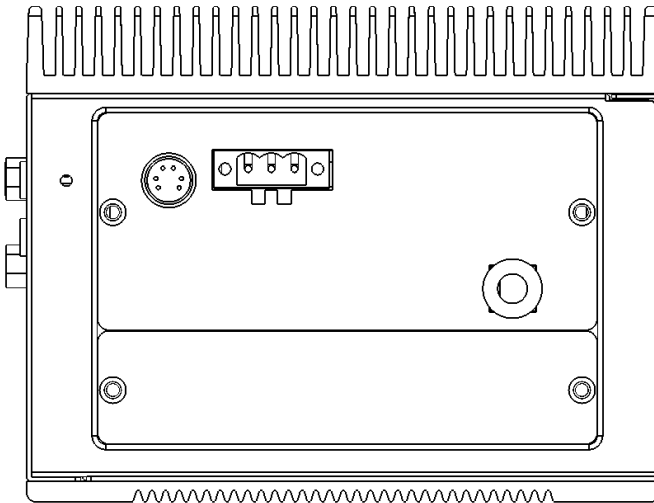


Figure 2.4: UNO-1157E Top View

2.2 COM1~COM2: RS-232 Interfaces

The UNO-1170 offers two standard RS-232 serial communication interface port on COM1 and COM2. Please refer to A.2 for pin assignments.

2.3 COM3: RS-232/422/485 Interfaces

The UNO-1170 offers two RS-232/422/485 serial communication interface ports, and they are COM2 and COM3. Both port can be configured individually to either RS-232, RS422/485 by using on-board jumpers. Please refer to A.3 for pin assignments and Table 2.1 lists the default setting of each port.

Table 2.1: COM3 Default Settings

COM Port	Default Setting
COM3	RS-422/485

2.3.1 TI 16C550 UARTs with 16-byte Standard

Advantech UNO-1170 comes standard with TI 16C550 UARTs containing 16 bytes FIFOs. These upgraded FIFOs greatly reduce CPU overhead and are an ideal choice for heavy multitasking environments.

2.3.2 Jumperless RS-422/485

In RS-422/485 mode, UNO-1170 automatically sense signals to match RS-422 or RS-485 network. No need to change jumpers.

2.3.3 Automatic Data Flow Control Function for RS-485

In RS-485 mode, UNO-1170 automatically senses the direction of incoming data and switches its transmission direction accordingly. Therefore no handshaking signal (e.g. RTS signal) is necessary. This feature lets you simply and quickly build an RS-485 network with just two wires. More importantly, application software previously written for half duplex RS-232 environments can be maintained without need for modification.

2.3.4 RS-232/422/485 Selection

COM2 and COM3 support 9-wire RS-232, RS-422 or RS-485 interfaces, and you can set corresponding jumpers to select serial ports as RS-232 or RS-422/485 interfaces shown in Table 2.2. Please note to reset the system to adapt this configuration change

The system detects RS-422 or RS-485 signals automatically in RS-422/485 mode.

Table 2.2: Selecting RS-232/422/485 (COM2&3)

Serial Port	Corresponding Jumper to Select RS-232/422/485
COM3	CN13

Jumper Setting for RS-422/485 Interface: (Default Setting)

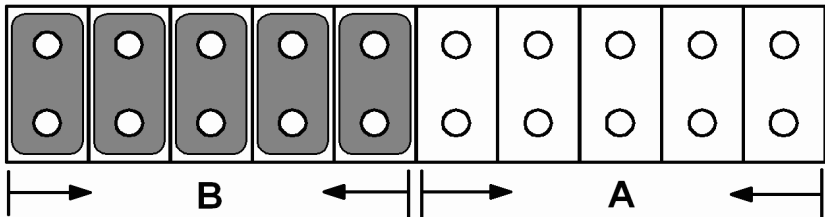


Figure 2.5: RS-422/485 Jumper Settings

Jumper Setting for RS-232 Interfaces:

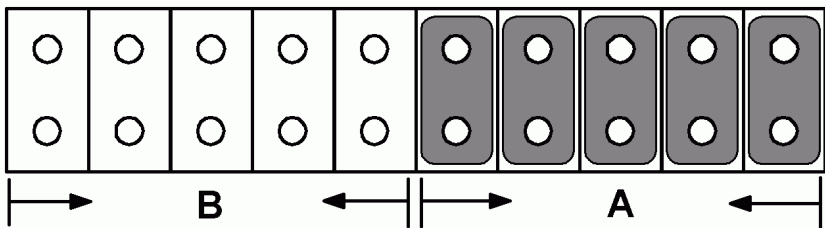


Figure 2.6: RS-232 Jumper Settings

2.3.5 Terminal Resistor Setup for RS-422/485

The onboard termination resistor (120 Ohm) for COM2/COM3 can be used for long distance transmission or device matching. (Default Open.) Each terminal resistor responds to different channels for RS-422/485.

Usually, these resistors are needed for both ends of the communication wires and the value of the resistors should match the characteristic impedance of the wires used.

Table 2.3: Terminal Resistor Settings

COM port	Switch No.	Pin	Setting	Description
COM3	SW3	1	ON	120 Ohm between Data+/Data- (RS-485) Or 120 Ohm between Tx+/Tx- (RS-422)
			OFF	Open (Default)
		2	ON	120 Ohm between Rx+/Rx- (RS-422)
			OFF	Open (Default)

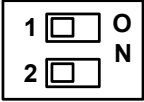
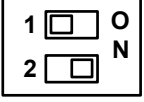
2.3.6 RS-485 Auto Flow & RS-422 Master/Slave Mode

You can set the “Auto Flow Control” mode of RS-485 or “Master/Slave” mode of RS-422 by using the SW2 DIP switch for each RS-422/485 port.

In RS-485, if the switch is set to “Auto”, the driver automatically senses the direction of the data flow and switches the direction of transmission. No handshaking is necessary.

In RS-422, if DIP switch is set to “On,” the driver is always enabled, and always in high or low status.

Table 2.4: Auto Flow & Slave/Master Selection

SW2 DIP Switch Setting	COM Port	Mode Selections
	COM2	RS-422: Slave mode RS-485: Auto flow control
	COM3	RS-422: Slave mode RS-485: Auto flow control
	COM2	RS-422: Master mode RS-485: N/A
	COM3	RS-422: Slave mode RS-485: Auto flow control
	COM2	RS-422: Slave mode RS-485: Auto flow control
	COM3	RS-422: Master mode RS-485: N/A
	COM2	RS-422: Master mode RS-485: N/A
	COM3	RS-422: Master mode RS-485: N/A

2.4 LAN: Ethernet Connector

The UNO-1170 is equipped with two Realtek RTL8100CL Ethernet LAN controllers that are fully compliant with IEEE 802.3u 10/100Base-T CSMA/CD standards. The Ethernet port provides a standard RJ-45 jack onboard, and LED indicators on the front side to show its Link (Yellow LED) and Active (Green LED) status. Please refer to A.4 for its pin assignments.

2.5 Power Connector

The UNO-1170 comes with a Phoenix connector that carries 10~36 VDC external power input, and has reversed wiring protection. Therefore, it will not cause any damage to the system by reversed wiring of ground line and power line. Please refer to A.5 for its pin assignments.

2.6 LED Indicators

- There are five kinds of LEDs on the UNO-1170 front panel
- **PWR**: system power status
- **IDE**: IDE bus status
- **Txn, Rxn**: Serial communication status of COM Port n
- **DIAG**: a programmable LED indicator to show a systems status
- **BTR**: Replace battery when this LED is active

2.7 PS/2 Keyboard and Mouse Connector

The UNO-1170 provides a PS/2 keyboard and PS/2 mouse connector. A 6-pin mini-DIN connector is located on the rear panel of the UNO-1170. The UNO-1170 comes with an adapter to convert from the 6-pin mini-DIN connector to two 6-pin mini-DIN connectors for PS/2 keyboard and mouse connections. Please refer to Appendix A.6 for pin assignments.

2.8 Universal Serial Bus Connectors

The USB connector is used for connecting any device that conforms to the USB interface. Many recent digital devices conform to this standard. The USB interface supports Plug & Play, which enables you to connect or disconnect a device whenever you want without turning off the computer.

The UNO-1170 provides two connectors with USB interfaces, which gives complete Plug & Play and hot swapping for up to 127 external devices. The USB interface complies with USB specification version 1.1 compliant. OpenHCI, Rev. 1.0. The USB interface can be disabled in the system BIOS setup. Please refer to Appendix A.7 for its pin assignments.

2.9 VGA: VGA Display Connector

The UNO-1170 provides a VGA controller (Intel 855/852 GME, supports a single 1.5V accelerated graphics port interface) for a high resolution VGA interface. It supports CRT Mode: 1920 x 1440 @ 32bpp (60Hz), 1600 x 1200 @ 32bpp (85Hz); and up to 64 MB shared memory.

2.10 RESET: Reset Button

UNO-1170 provides a reset button on the top of the device.

2.11 Audio

UNO-1170 supports audio function with:

- Line In
- Line Out

2.12 Battery Backup SRAM

UNO-1170 provides 512 KB of battery backed SRAM. This ensures that you have a safe place to store critical data. You can now write software applications without being concerned that system crashes will erase critical data from the memory.

There is a BTRY LED in the front panel of the UNO-1170, please replace the lithium battery with a new one if the BTRY LED is activated.

2.12.1 Lithium Battery Specifications

- **Type:** BR2032 (Using CR2032 is NOT recommended)
- **Output voltage:** $3 V_{DC}$
- **Location:** the backside of UNO-1170 board.
(BH1 is for real time clock, BH2 is for SRAM)

2.13 LED and Buzzer for System Diagnosis

In a “headless application” (an application without a monitor display), it is always difficult to know the system status. Another PC may be needed to monitor a headless device's status via RS-232 or Ethernet. In order to solve this problem, UNO-1170 offers a programmable LED indicator (Figure 2.13) and buzzer. They can be programmed to show a systems status by LED indicator flickering and buzzer alarm.

Table 2.5: LED & Buzzer Control Register

210H	R/W	DIAG LED Register							
							LEDS1	LEDS0	LEDEn
211H	R/W	Buzzer Register							
							SPKS1	SPKS0	SPKEen

LEDEn: =0, DIAG LED disable

=1, DIAG LED enable

LEDS0 and LED S1: LED flickering speed setting bit (refer to Table 2.6)

SPKEen: =0, Speaker disable

=1, Speaker enable

SPKS0 & SPKS1: Buzzer alarming setting bit (refer to Table 2.7)

Note: UNO-1170 provides built-in examples to show how to configure DIAG LED and Buzzer. Refer to console mode examples in C:\Program Files\Advantech\UNO\UNO_IsaDIO\Examples\Console.

(Please install DI/O driver from the UNO CD to use these examples)

Table 2.6: Programmable LED Control Bit

	LEDS1	LEDS0
Light on	0	0
Fast flicker	0	1
Normal flicker	1	0
Short flicker	1	1

Table 2.7: Programmable Buzzer Control Bit

	SPKS1	SPKS0
Beep on	0	0
Short beep	0	1
Normal beep	1	0
Long beep	1	1

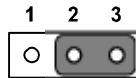
2.14 PCI/104+ Connectors (UNO-1170E only)

UNO-1170E supports up to two PCI/104+ cards. The cards will be installed on connector noted "CN3-A" and "CN3-B". Please check your PCI/104+ card support voltage to adjust the jumper on CN4.

Table 2.8: PCI-104 Voltage Jumper Settings

Voltage	Jumper close position setting
+5V	1-2
+3.3V	2-3

Jumper Setting for +3.3V example:



closed 2-3

Figure 2.7: RS-422/485 Jumper Settings

Initial Setup

Sections include:

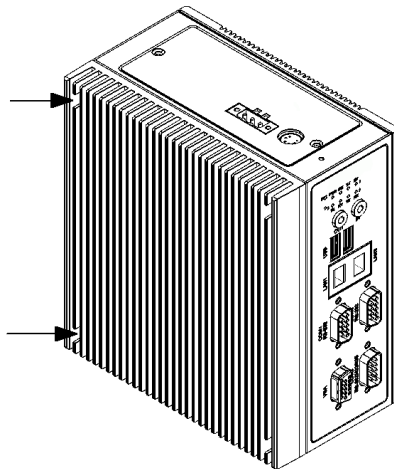
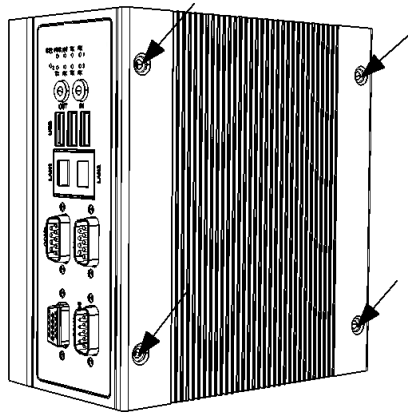
- CompactFlash Installation
- PCI-104 Card Installation (UNO-1170E)
- Hard Drive Installation (UNO-1170E)
- Chassis Grounding
- Power Connection
- BIOS Setup and System Assignments

Chapter 3 Initial Setup

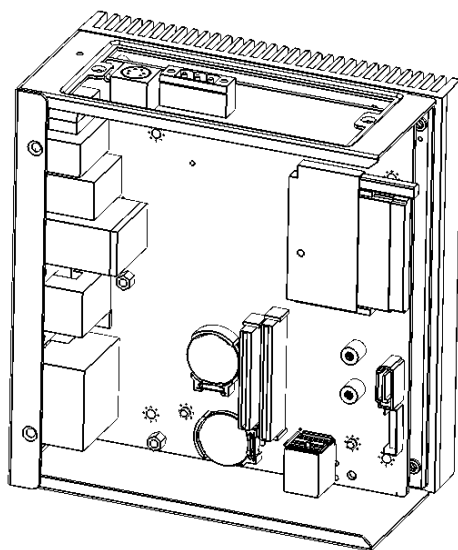
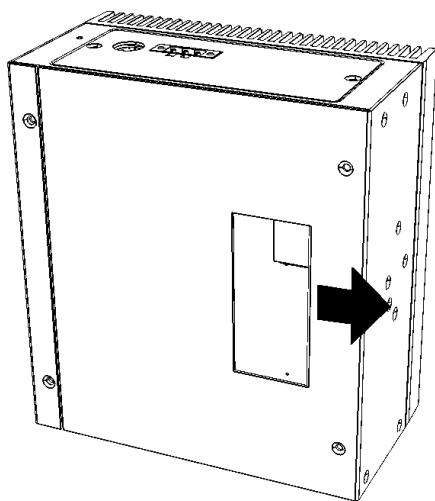
3.1 CompactFlash Card Installation

The procedure for installing a CompactFlash card into the UNO-1170/ UNO-1170E is as follows, please follows these steps carefully. Although the outside appearance of the UNO-1170E is different from the figures shownbelow, the procedure is the same.

1. Remove the power.
2. Unscrew six screws from UNO-1170 indicated below.



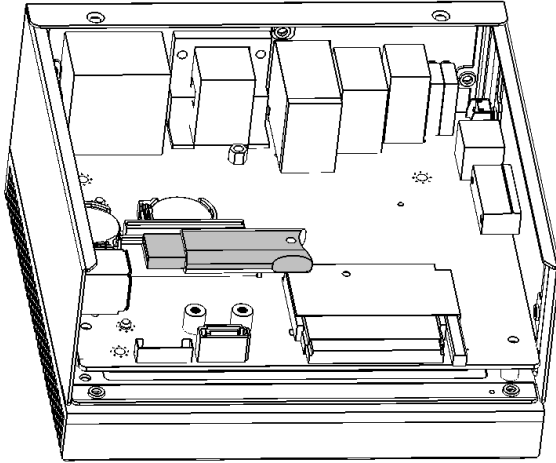
3. Remove the rear cover.



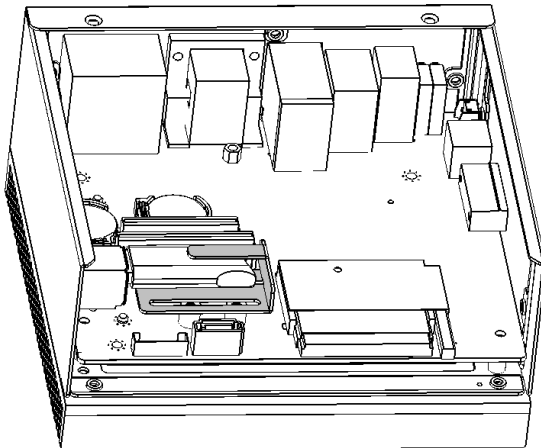
4. Plug a CompactFlash card with user's OS and application program into a CompactFlash card slot on board.
5. Screw back the rear cover and the six screws.

3.2 USB Keypro and Keypro Bracket Installation

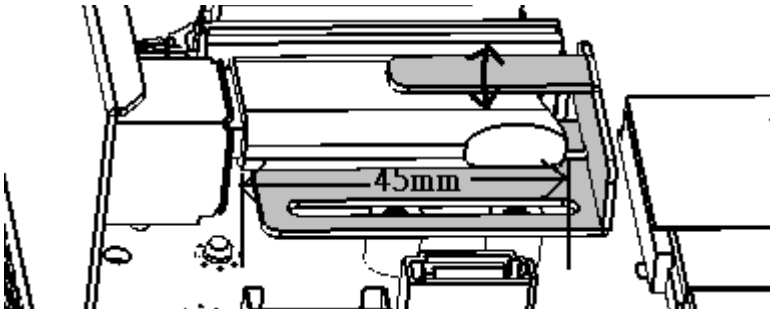
1. Keep the rear cover removed and have the USB keypro dongle ready. (Note: Only the upper internal USB connector will work. The lower is a dummy connector and won't have any function)



2. Insert the USB keypro/dongle into internal USB connector and place the keypro bracket as shown in the picture. Then, screw the keypro bracket.



3. Manually adjust the bracket to perfectly fit the USB keypro/dongle.



(Note: Due to the extremely compact space in the chassis, the length for USB keypro has to be limited to 45mm)

3.3 Chassis Grounding

Please connect the chassis ground of UNO-1170 with "EARTH".

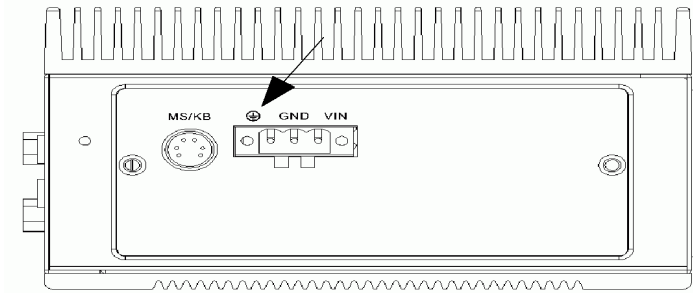


Figure 3.1: Chassis Grounding Connection

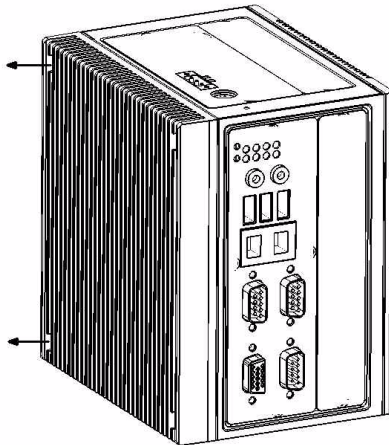
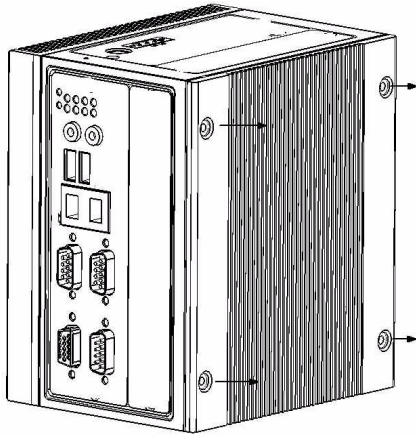
3.4 Power Connection

Connect the UNO-1170 to a 10 ~ 30 VDC power source. The power source can either be from a power adapter or an in-house power source.

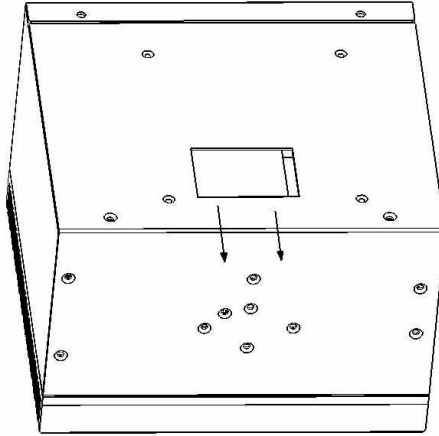
3.5 PC/104+ Card Installation (UNO-1170E)

The procedure for installing a PC/104+ card into the UNO-1170E is shown as following step.

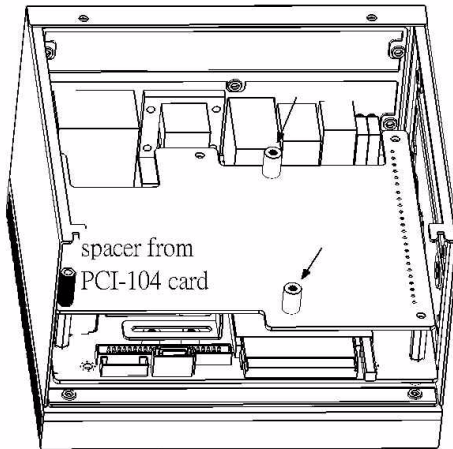
1. Remove the power.
2. Unscrew six screws from UNO-1170E indicated below.



3. Remove the rear cover.

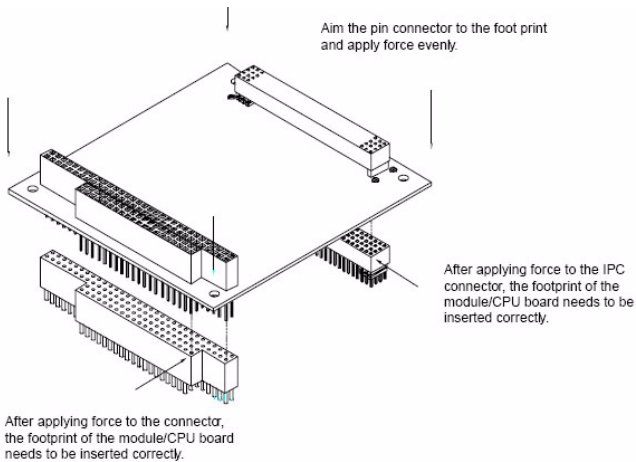
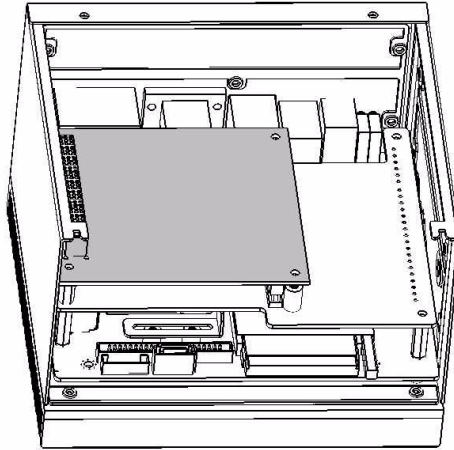


4. Find 2 metal spacer from accessory bag, and screw tight on the location indicated arrow in the below picture. (Note: There were spacers soldered on the daughter board already). Normally you will also get some hexagon spacer from your PCI-104 card packing. Use and screw those spacers on the location indicated black shown in below picture.



5. Please refer to section 2.12 for PCI-104 card voltage setting before install the PCI-104 card.

6. Stack the PC/104+ card and related cables.



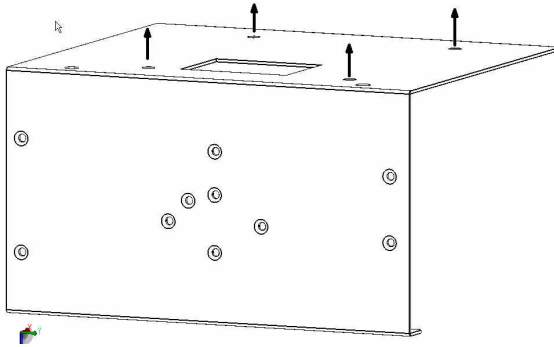
7. Screw the rear cover and the six screws. Now you are done with the PC/104+ card installation.

Note : You can use two PC/104+ cards at the same time while you don't use a hard drive. Using a hard drive will limit the number of PC/104+ you used to one

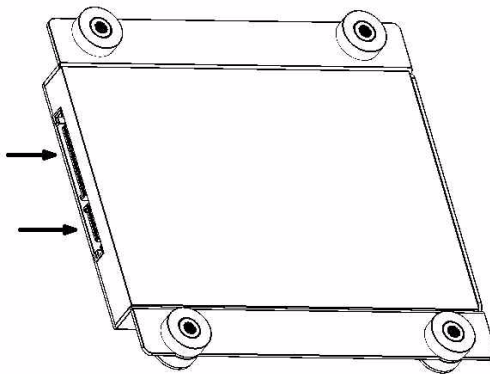
3.6 Hard Drive installation (UNO-1170E)

The procedure for installing a hard drive into the UNO-1170E is shown as following step.

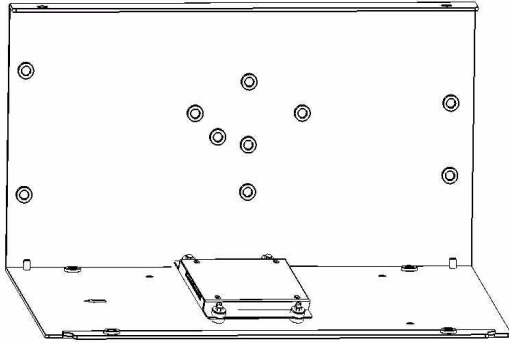
1. Remove the power.
2. Unscrew six screws from UNO-1170E indicated below.
3. Remove the rear cover. Please refer to Section 3.1 & 3.2 for the instruction to open the cover.
4. Take four screws from the rear cover to lose the hard drive bracket.



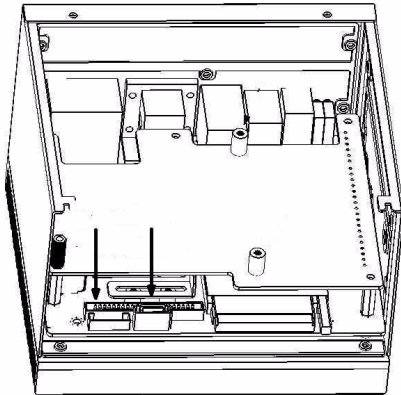
5. Connect the SATA cable and SATA power cable. Make sure the cable will not lose. Use the screws in accessory to mount the hard drive on the hard drive bracket.



6. Turn the hard drive bracket and align with the screw hole on the rear cover. Use the four screws taken from step 4 and screw the bracket and the rear cover tight.



7. Connect the other end of SATA cable on the board which the arrow indicated in below picture.



8. Screw the rear cover and the six screws.
9. For user who tried to plug other SATA device, please note the UNO-1150E SATA power connector doesn't support 12V power.

Note: There are switch setting about SATA hard drive below, please refer to the section A.9 for detail. The hard drive might not work correctly if the switch setting is incorrect

3.7 BIOS Setup and System Assignments

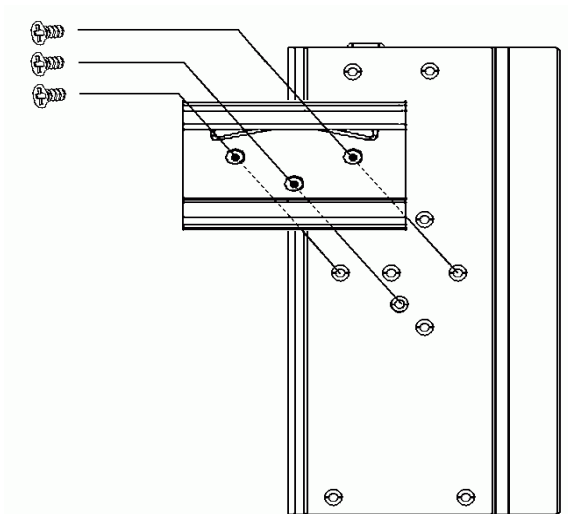
UNO-1170 uses the Advantech SOM-4481 and SOM-4486 CPU module. For UNO-1170 BIOS setup and system assignments, you can refer to SOM-4481 and SOM-4486 Chapter 4 “Award BIOS Setup” and Appendix A “System Assignments”. The SOM-4481 & SOM-4486’s user’s manual is in the “Manual” folder on the CD-ROM.

Please note that you can try to “LOAD BIOS DEFAULTS” from the BIOS Setup manual if UNO-1170 does not work properly.

3.8 DIN-rail Mounting Setup

Please follow the below steps to mount the UNO-1170 on the DIN-Rail.

1. Screw the provided DIN-Rail Kit on the rear side of UNO-1170 as the diagram shown below.



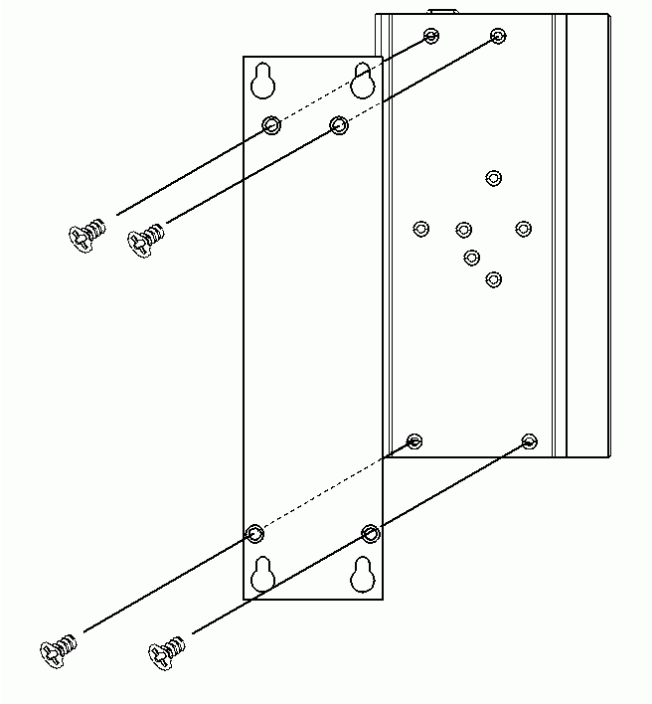
2. Hang the UNO-1170 to the DIN-Rail with angle of inclination about 30 degree.
3. Let UNO-1170 down straight to slide over the Rail smoothly.

Note: To get the UNO-1170 down from the Rail, push the device top to down then pull the bottom of the device to let it off the Rail smoothly.

3.9 Wallmounting Setup

Please follow the below steps to mount the UNO-1170 on the wall.

1. Screw the provided Wall Mounting Kit on the rear side of UNO-1170 as the diagram shown below.



2. Mount the device on the wall by the 2 pairs hooking hole provided by the Wallmounting Kit.

System Settings and Pin Assignments

- Board Connectors and Jumpers
- RS-232 Serial Port (COM1~2)
- RS-232/422/485 Serial Port (COM3)
- Ethernet RJ-45 Connector
- Power Screw Terminal
- PS/2 Keyboard and Mouse Connector
- USB Connector
- VGA Display Connector
- CompactFlash Master/Slave Jumper Setting
- SATA DATA Connector

Appendix A System Settings and Pin Assignments

A.1 System I/O Address & Interrupt Assignments

Table A.1: UNO-1170 System I/O Ports

Address Range	Device
000-01F	DMA controller (slave)
020-03F	Interrupt controller 1, (master)
040-05F	8254 timer/counter
060-06F	8042 (keyboard controller)
070-07F	Real-time clock, non-maskable interrupt (NMI)mask
080-09F	DMA page register,
0A0-0BF	Interrupt controller 2 (slave)
0C0-0DF	DMA controller (master)
0F0	Clear math co-processor
0F1	Reset math co-processor
0F8-0FF	Math co-processor
1D0	Vector address; for COM port share IRQ
1E0	Battery backup resource
11E	Battery backup resource
1F0-1F8	1st fixed disk
200-207	Game I/O
278-27F	Reserved
2F8-2FF	Serial port 2
380-38F	SDLC, bisynchronous 2
3A0-3AF	Bisynchronous 1
3B0-3BF	Monochrome display
3C0-3CF	Reserved
3D0-3DF	Color/graphics monitor adapter
3F0-3F7	Diskette controller
3E8-3EF	Serial port 3
3F8-3FF	Serial port 1
DC000-DFFFF	Battery backup resource

Table A.2: UNO-1170 Interrupt Assignment

Interrupt No.	Interrupt Source
NMI	Parity error detected
IRQ 0	Interval timer
IRQ 1	Keyboard
IRQ 2	Interrupt from controller 2 (cascade)
IRQ 3	COM2
IRQ 4	COM1
IRQ 5	Available
IRQ 6	Diskette controller (FDC)
IRQ 7	Available
IRQ 8	Real-time clock
IRQ 10	COM3 (Independent IRQ)/COM3&COM4 Share IRQ
IRQ 11	Reserved for watchdog timer
IRQ 12	PS/2 mouse
IRQ 13	INT from co-processor
IRQ 14	Primary IDE
IRQ 15	Secondary IDE for CompactFlash

A.2 Board Connectors and Jumpers

There are connectors and jumpers on the UNO-1170 board. The following sections tell you how to configure the UNO-1170 hardware setting. Figure A-1 and figure A-2 show the locations of UNO-1170 connectors and jumpers.

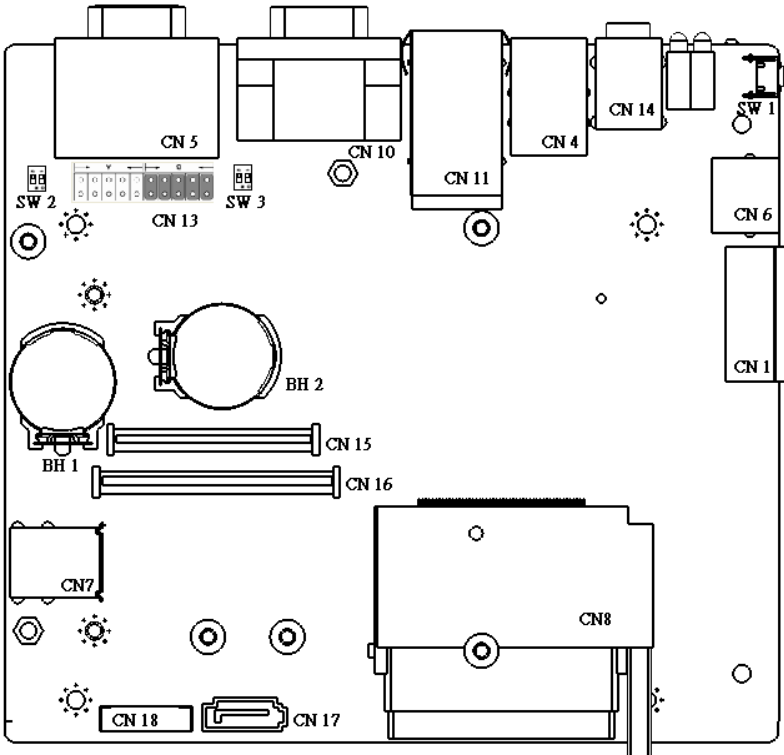


Figure A.1: Connector & Jumper Locations (Top)

Table A.3: Connectors & Jumpers

BH1	Lithium battery for BIOS
BH2	Lithium battery for Backup SRAM
CN1	Power Screw Terminal
CN3	Clear COMS Jumper
CN4	USB connector
CN5	VGA DB15 display connector/ COM3 RS-232/422/485
CN6	PS/2 keyboard and mouse connector
CN7	Internal USB dongle connector
CN8	Internal CompactFlash card slot
CN10	COM1 RS-232 serial port / COM2 RS-232 serial port
CN11	Ethernet port 1 / Ethernet port 2
CN13	COM2 RS-232/422/485 selection
CN14	Audio line in / Audio line out
CN15/CN16	Board to Board connector, PC/104+
CN17	SATA connector (data)
CN18	SATA connector (power)
SW1	Reset switch
SW2	RS-485 auto-flow and RS-422 Master/Slave mode for
SW3	Terminal resistor for COM3

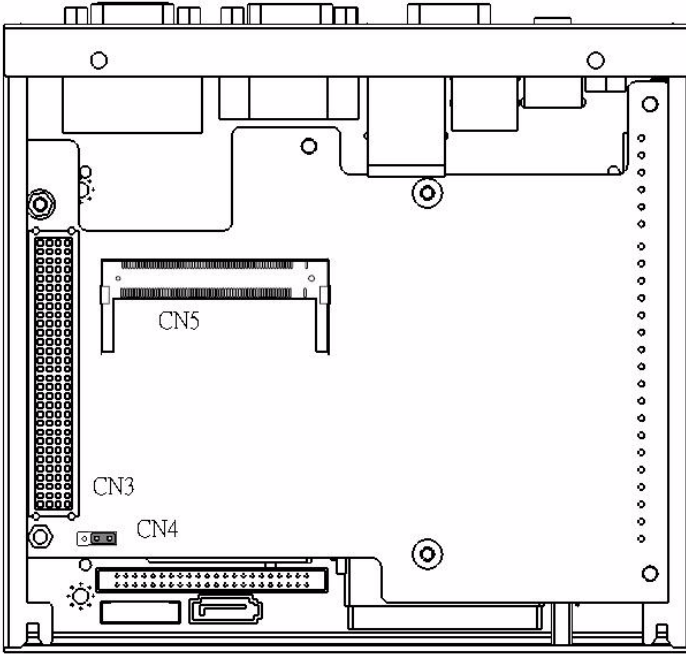


Figure A.2: Connector & Jumpers (UNO-1170E)

Table A.4: Connectors & Jumpers (UNO-1170E)	
CN3-B,CN3-C	PC/104 card connector
CN3-A	PCI-104 card connector
CN5	Mini PCI card connector
CN4	Jumper of PCI-104 card voltage selection (+3.3V or +5V)

A.3 RS-232 Serial Port (COM1~COM2)

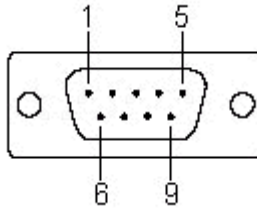


Table A.5: RS-232 Serial Port Pin Assignments

Pin	Signal Name
1	DCD
2	RxD
3	TxD
4	DTR
5	GND
6	DSR
7	RTS
8	CTS
9	RI

A.4 RS-232/422/485 Serial Port (COM3)

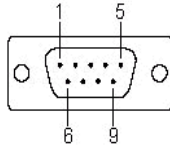


Table A.6: RS-232/422/485 Serial Ports

Pin	RS-232	RS-422	RS-485
1	DCD	Tx-	DATA-
2	RxD	Tx+	DATA+
3	TxD	Rx+	NC
4	DTR	Rx-	NC
5	GND	GND	GND
6	DSR	NC	NC
7	RTS	NC	NC
8	CTS	NC	NC
9	RI	NC	NC

A.5 Ethernet RJ-45 Connector (LAN1~LAN2)

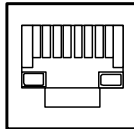


Table A.7: Ethernet RJ-45 Connector Pin Assigns

Pin	10/100Base-T Signal Name
1	XMT+
2	XMT-
3	RCV+
4	NC
5	NC
6	RCV-
7	NC
8	NC

A.6 Power Screw Terminal (CN8)

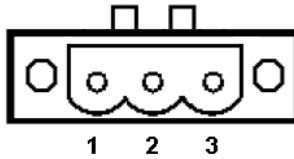


Table A.8: Phoenix Power Connector Pin Assigns

Pin	Signal Name
1	VIN (10 ~ 36 VDC)
2	GND
3	Field Ground

A.7 PS/2 Keyboard and Mouse Connector (CN10)

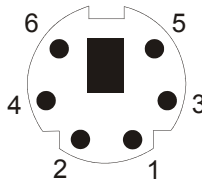


Table A.10: Keyboard & Mouse Connector Pin Assigns

Pin	Signal Name
1	KB DATA
2	MS DATA
3	GND
4	VCC
5	KB CLOCK
6	MS CLOCK

A.8 USB Connector (CN13)

Table A.11: USB Connector Pin Assignments

Pin	Signal Name	Cable Color
1	VCC	Red
2	DATA-	White
3	DATA+	Green
5	GND	Black

A.9 VGA Display Connector (CN15)

Table A.12: VGA Adaptor Cable Pin Assignments

Pin	Signal Name	Pin	Signal Name
1	RED	9	EDID Power
2	GREEN	10	GND
3	BLUE	11	NC
4	NC	12	NC
5	GND	13	H-SYNC
6	GND	14	V-SYNC
7	GND	15	NC
8	GND		

Display Memory

With 64MB share memory, the VGA controller can drive CRT displays or color panel displays with resolutions up to 1600 x 1200 at 85 Hz.

A.10 SATA Data Connector (CN17)

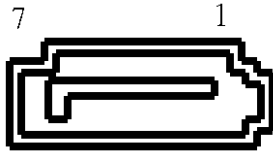


Table A.13: SATA DATA Connectors (CN17)

Pin	Signal Name
1	GND
2	A+
3	A-
4	GND
5	B-
6	B+
7	GND

Appendix

B

Programming the Watchdog Timer

Appendix B Programming the Watchdog Timer

Below are samples of code for controlling the Watchdog Timer function.

Enter the extended function mode, interruptible double-write

```
MOV DX,2EH
MOV AL,87H OUT DX,AL OUT DX,AL
```

Configured logical device 8, configuration register CRF6

```
MOV DX,2EH
MOV AL,2BH OUT DX,AL MOV DX,2FH IN AL,DX
AND AL,0EFH;Setbit 4=0 Pin 89=WDTO OUT DX,AL
MOV DX,2EH
MOV AL,07H; point to Logical Device Number Reg. OUT DX,AL
MOV DX,2FH
MOV AL,08H; select logical device 8
OUT DX,AL; MOV DX,2EH
MOV AL,30H;Set watch dog activate or inactivate
OUT DX,AL MOV DX,2FH
MOV AL,01H; 01:activate 00:inactivate
OUT DX,AL; MOV DX,2EH
MOV AL,F5H; Setting counter unit is second
OUT DX,AL MOV DX,2FH MOV AL,00H OUT DX,AL; MOV
DX,2EH MOV AL,F6H OUT DX,AL MOV DX,2FH
MOV AL,05H; Set 5 seconds
OUT DX,AL
;-----
; Exit extended function mode |
;-----
MOV DX,2EH
MOV AL,AAH OUT DX,AL
```