

## UNO-Series User Note

### UNO-2170 Version B HDD Installation Guide

September 2009  
P/N: 2003217010

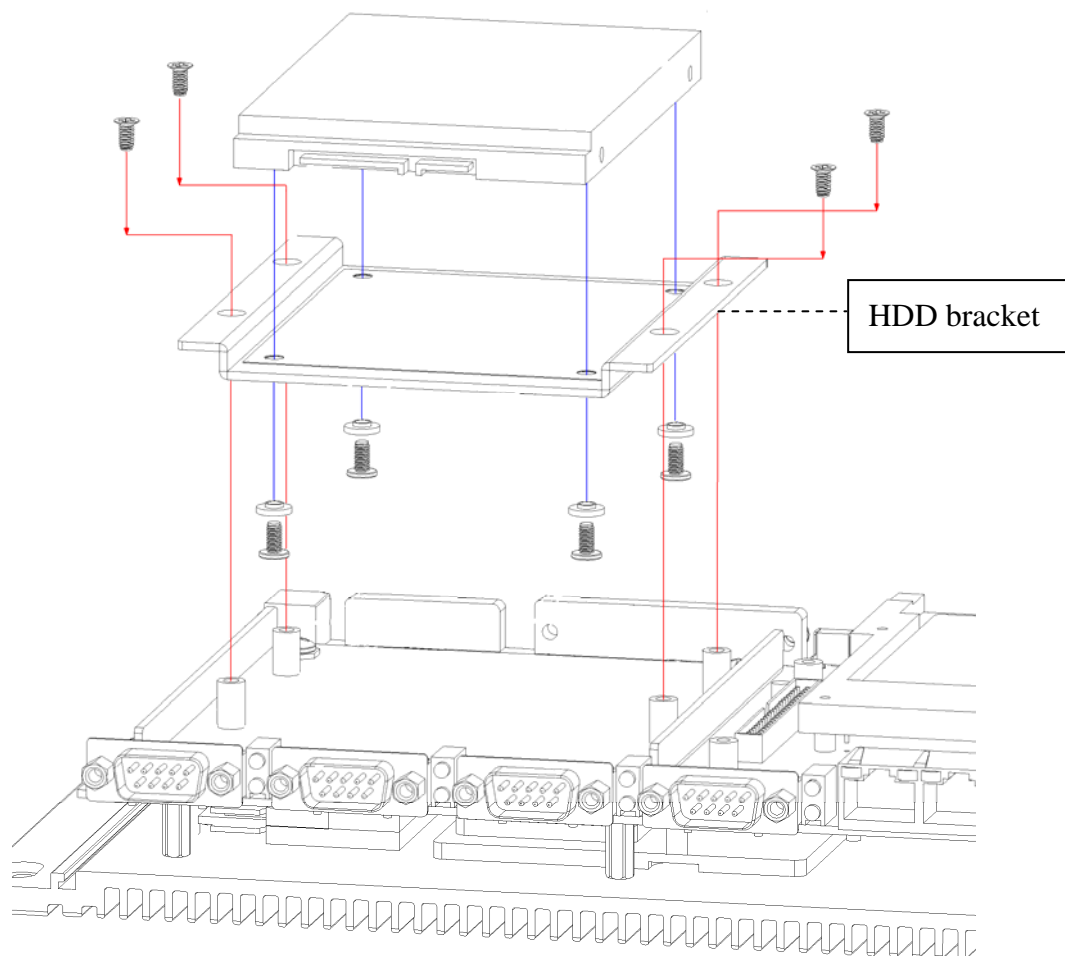
Advantech's UNO-2170 Version B can support SATA HDDs, please follow the steps below to ensure the grounding isolation between chassis and system is not broken during the installation process.

Step 1: Unscrew the HDD bracket.

Step 2: Put the HDD on the HDD bracket and secure the HDD with washers and screws.

Step 3: Connect the SATA cable (power and signal)

Step 4: Screw the HDD bracket back to the MB.



If you have any questions or concerns, feel free to contact Advantech anytime.