

PPC-8150

15" Panel PC with Mini-iTX AIMB Motherboard supported

NEW



Features

- 15" TFT LED Panel, resolution up to 1024 x 768
- Multiple choices of Intel or AMD platform as mini-iTX AIMB motherboard supported
- Support one expansion slot of PCIe x8 or PCIe x16
- Optional Four addition COM ports extended
- Support AC 100~240V input or DC 12~30V input
- Supports iManager, SUSIAccess and Embedded Software APIs

Introduction

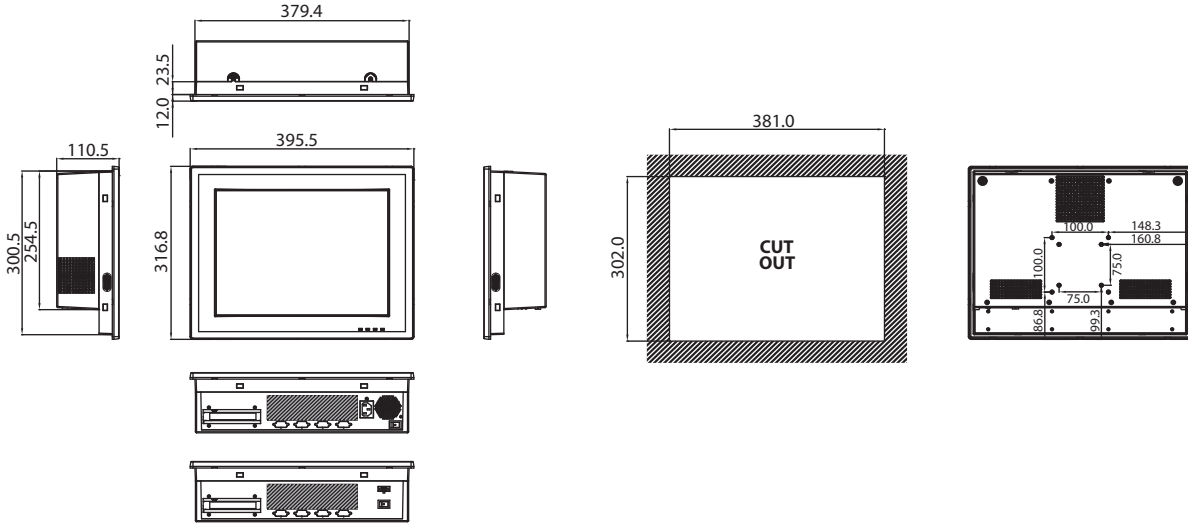
The PPC-8150 is a Panel PC with Mini-iTX AIMB motherboard supported and a 15" TFT LED panel. It uses a versatile Mini-iTX AIMB mother board, with a highly efficient power supply or a wide range DC power input, and easy-to-maintain cooling fans. The PPC-8150 especially features additional external COM ports and expansion slot to accommodate different applications.

Specifications

Power Supply	Input Voltage	100 ~ 240 V _{AC} or	12 ~ 30 V _{DC}
System	Power Button	x 1 power button	
	Storage	1 x 2.5" SATA bay	
	Audio	2 x 1W speaker	
	Fan	1 x 12V 80x80x15mm Fan	
	Additional External COM	x 4 optional port	
	Expansion slot	1 x PCIe x16 or	1 x PCIe x8
	LCD Display	Display Type	15" TFT LED Panel
Max. Resolution		1024 x 768	
Colors		16.2M	
Dot Size (mm)		0.297(H) x 0.297(W)	
Viewing Angle		80 (left), 80 (right), 70 (up), 70 (down)	
Luminance		400	
Contrast Ratio		700	
Operating Temperature		-30 ~ 80°C	
Backlight Lifetime		50,000 hrs	
Touchscreen	Touch Type	Analog Resistive 5-wires	
	Light Transmission	81% +/- 3%	
	Durability (Touches)	36 millions	
Environment	Operating Temperature	0 ~ 50°C (32 ~ 122°F)	
	Storage Temperature	- 20 ~ 60°C (-4 ~ 140°F)	
	Relative Humidity	10 ~ 95% @ 40°C (non-condensing)	
	EMC	CE, BSMI, FCC Class A	
	Safety	CB, CCC, BSMI, UL	
Physical Characteristics	Front Panel Protection	IP65 Compliant	
	Dimensions	395.5 x 316.8 x 110.5	
	Weight	5.03 kg	

Dimensions

Unit: mm



Ordering Information

Part No	Description
PPC-8150-RXAE	Panel PC w/15" XGA LED & T/S, 1x PCIe, 180W PSU
PPC-8150-RXDE	Panel PC w/15" XGA LED & T/S, 1x PCIe, DC input
PPC-8150-WLANE	PPC-8150 /8170 WLANE MODULE
PPC-174T-WL-MTE	Wall mount kits for PPC series
PPC-ARM-A03	PPC ARM VESA stand
PPC-155T Stand	Stand kit for PPC-8150/PPC-8170
1702002605	Power cord 2P FRANCE 10A/16A 220V 1.83M 90D
1702002600	Power Cord 3P UL/CSA(USA) 125V 10A 1.83M 180D
1757004597-01	Power Adapter 100-240V 150W 19V 7.89A

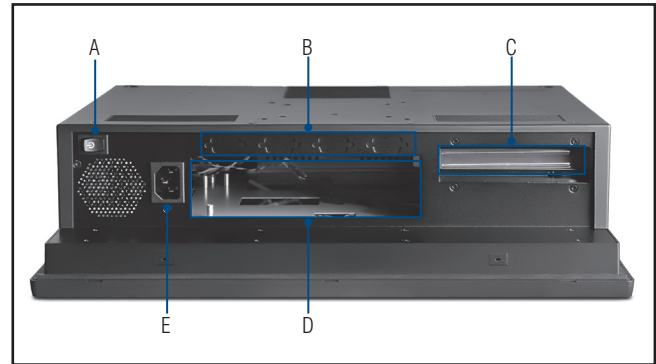
Supported Mini-ITX Motherboard Options

Part Number	PPC-8150-RXAE		PPC-8150-RXDE
	AIMB-273G2-00A1E	AIMB-274G2-00A1E	AIMB-224G2-00A1E
Processor	Intel Core i7/i5/i3 mobile processor(PGA)	Intel Shark Bay Desktop(LGA 1150)	AMD eTrinity Quad/Dual Core
Memory	Dual channel DDR3 1333/1600 MHz SDRAM, 16Gb max.		Dual channel DDR3 1066/1333/1600MHz, 16Gb max.
Expansion Slots	1 x Mini PCI-e; 1 x PCIe x16 slot	2 x Mini PCI-e; 1 x PCIe x16 slot	2 x Mini PCI-e; 1 x PCIe x8 slot
Rear IO	2 x RS 232; 2 x GbE LAN; 2 x DP; 1 x HDMI; 1 x CRT; 4 x USB 3.0; 2 x PS2 (1 x keyboard and 1 x mouse); 3 x Audio (Mic-in, Line-in, Line-out)	1 x RS 232 (support 5V/12V); 1 x RS 232/422/485; 2 x GbE LAN; 1 x DP; 1 x HDMI; 1 x CRT; 4 x USB 3.0; 2 x PS2 (1 x keyboard and 1 x mouse); 3 x Audio (Mic-in, Line-in, Line-out)	4 x RS 232; 1 x RS 232/422/485; 2 x GbE LAN; 2 x DP; 1 x CRT; 4 x USB (2 x USB3.0 and 2 x USB2.0); 1 x PS2, 3 x Audio (Mic-in, Line-in, Line-out)

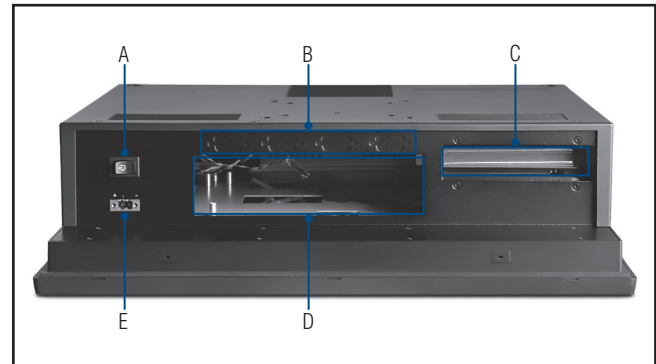
Note: For detailed motherboard specs, please refer to the datasheet of the motherboard.

I/O Placement

PPC-8150-RXAE



PPC-8150-RXDE



- A. Power button
- B. External COM port
- C. Riser card expansion
- D. Mini-ITX AIMB IO Shield
- E. AC/DC Power Input