

**DESCRIPTION**

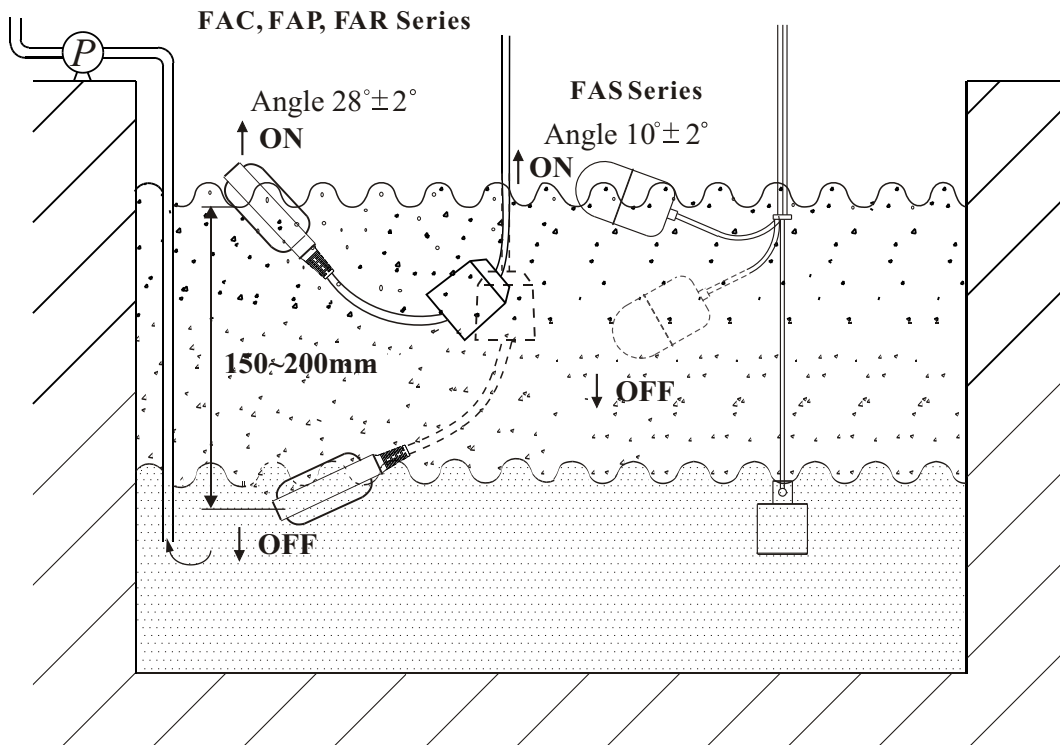
The Float Level Switch are made of molded, chemical resistant polypropylene, that it was serviceable, low-cost, and specially designed to solve the long distance, multi-points level detection, liquid with pump or granule instances. Certainly, it's suitable for common liquid also.

**PRINCIPLE**

FAC, FAP, FAR Type float switch make use of micro switch as contact component. The switch will have ON or OFF contact signal output when the angle is larger than 28

FAS Type float switch make use of mercury switch as contact component. When liquid lift up to contact float, the float will have variable angles. The switch will have ON or OFF contact signal output when the angle is larger than 10

**APPLICATION**



# SPECIFICATION

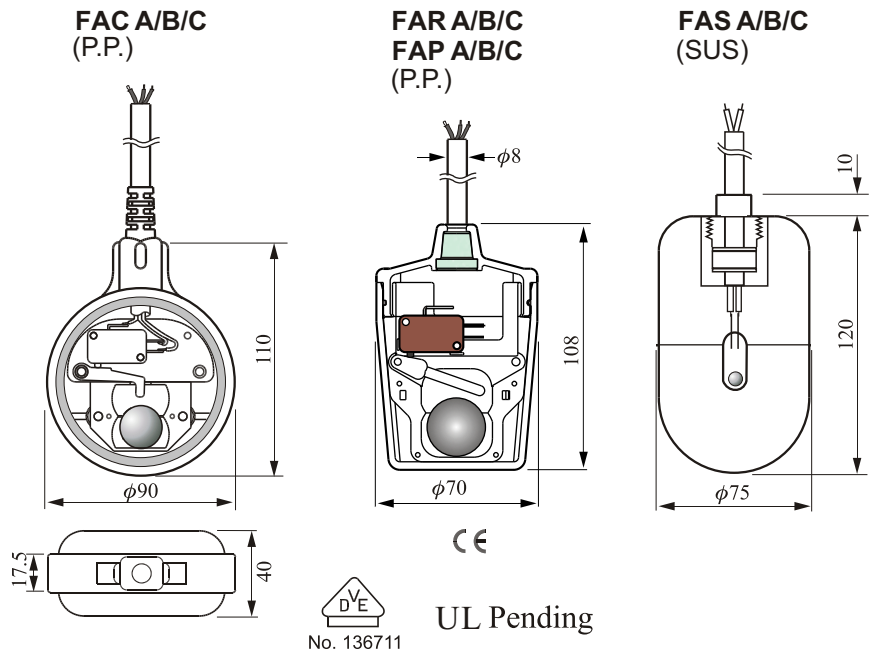
## STRUCTURE & DIMENSION

### FAS TYPE

1. Silicon Cable
2. Material: SUS304  
Enclosure IP68
3. Mercury Switch: 2A/250Vac

### FAC/R/P TYPE

1. Neoprene Cable or PVC (VCT) Cable  
Neoprene cable is approve by "HAR" for its flexibility and it can last longer.
2. Float Housing  
Material: PP, Enclosure: IP68  
The Float Housing is reliable to protect the components(within) from shock and corrosion.
3. Micro Switch:  
10A/250Vac or 15A/250Vac
4. Stainless Steel Ball

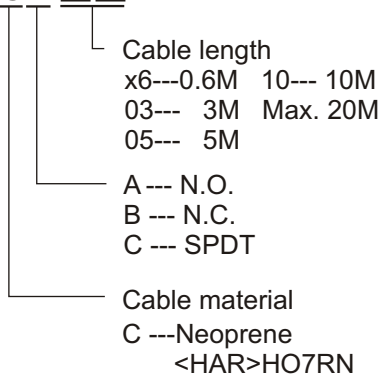


## SPECIFICATION

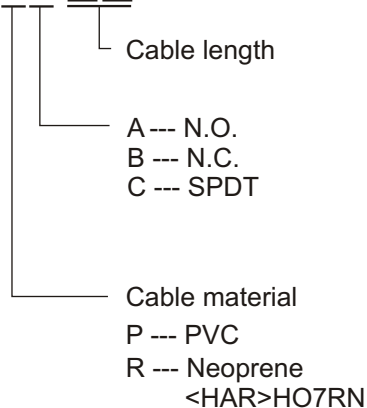
Type	FAC A/B/C	FAP A/B/C	FAR A/B/C	FAS A/B/C
Float Material	Polypropylene	Polypropylene	Polypropylene	SUS304
Cable Specification	Neoprene Cable 1mm <sup>2</sup> x3C or 2C	PVC Cable 1.25mm <sup>2</sup> x3C or 2C	Neoprene Cable 1mm <sup>2</sup> x3C or 2C	Silicon Cable 0.75mm <sup>2</sup> x3C or 2C
Contact Rating	10A/250Vac (std.) or 15A/250Vac			2A/250Vac
Contact Form	N.O. N.C. or SPDT			
Operating Temp.	-10 C~80 C	0 C~60 C	0 C~80 C	0 C~170 C
Suitable S.G.	0.6			0.5
Weight Approx.	770g/5M	290g/1M		480g/5M
Pressure(Max.)	2 kg/cm <sup>2</sup>	2 kg/cm <sup>2</sup>	2 kg/cm <sup>2</sup>	2 kg/cm <sup>2</sup>

## FLOAT TYPE CODE

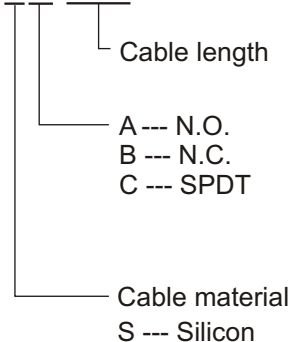
**FACA** □□



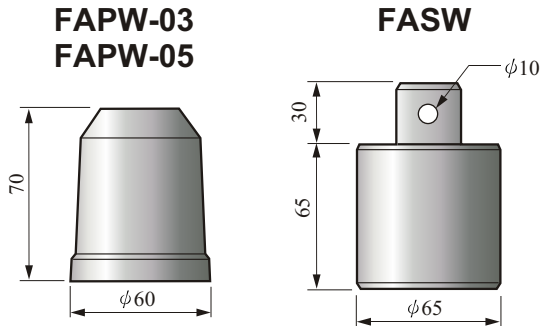
**FAPA** □□



**FASA** □□

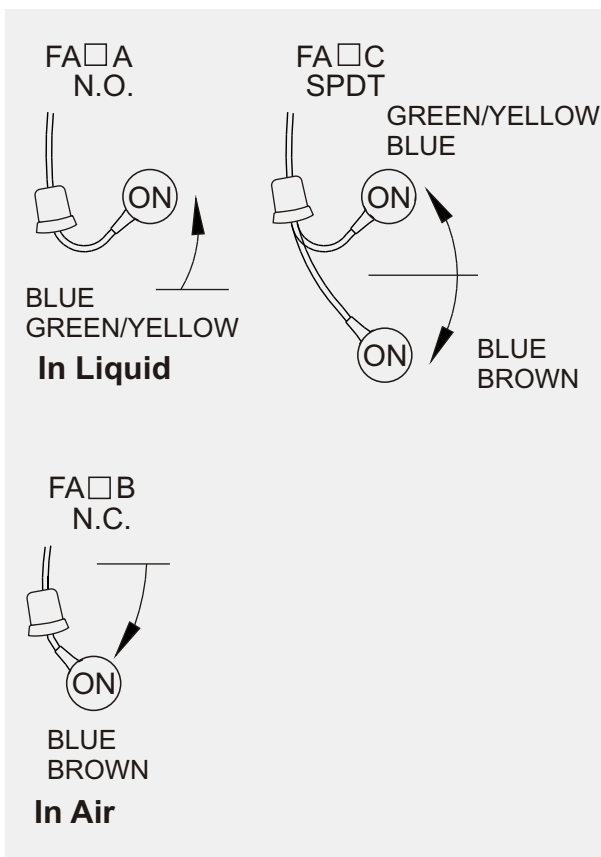


## DIMENSION OF WEIGHT



Type	Material	Weight
FAPW-03 FAPW-05	PP	0.3kg 0.5kg
FASW	SUS304	1.8kg

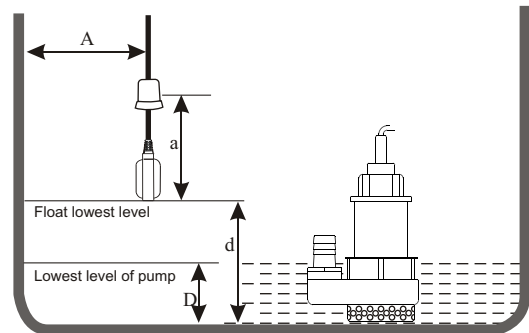
## CONTACT FORM



## RELATIVE DIMENSION FOR INSTALLATION

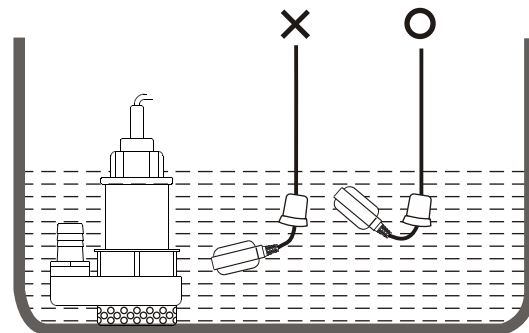
The float action length (a) must be less than the distance between wall and cable (A) ; if not will cause wrong action.

Keep inlet of pump (D) lower than the float (d) , to prevent damage from lack of water.

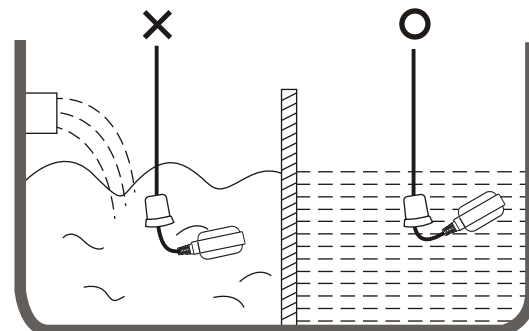


## ATTENTION TO INSTALL

Keep a proper distance between installation position and inlet of water pump, to prevent float switch sucked by inlet of water pump.

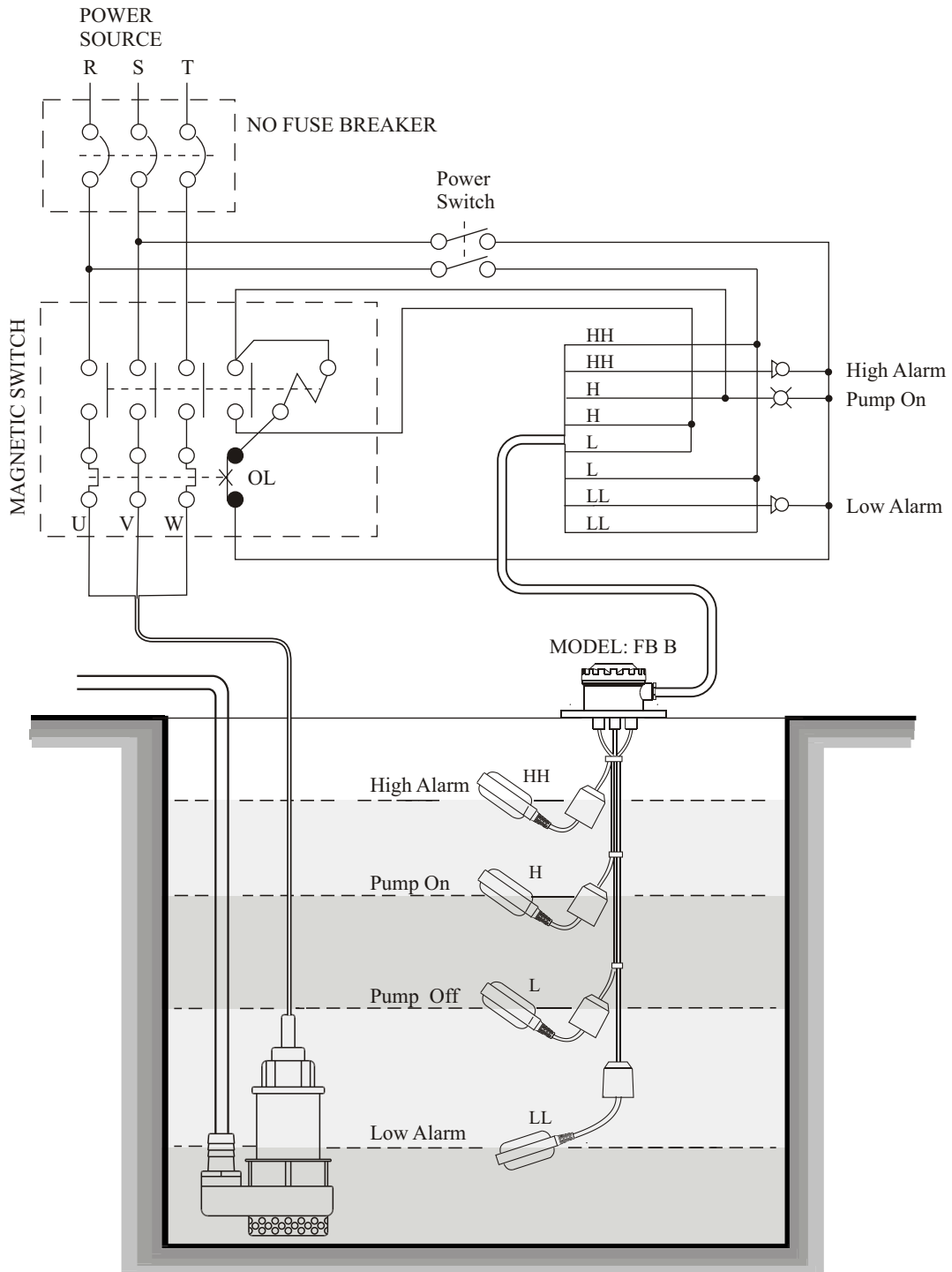


Between installation position and inlet of water should keep a proper distance to prevent impacting water and cause wrong action. If it can't be avoided, to install wave-resistance pipe or wave-resistance plate for improvement.



# TYPE APPLICATION

The FBB Type is suitable for install on the roof of tank and suspend floats in tank's inside for pumping control with level alarms.

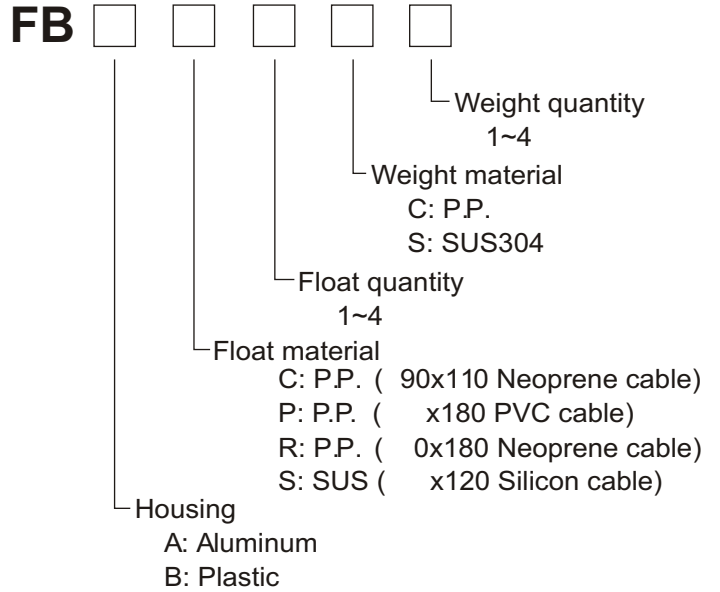


# HOW TO ORDER FB TYPE

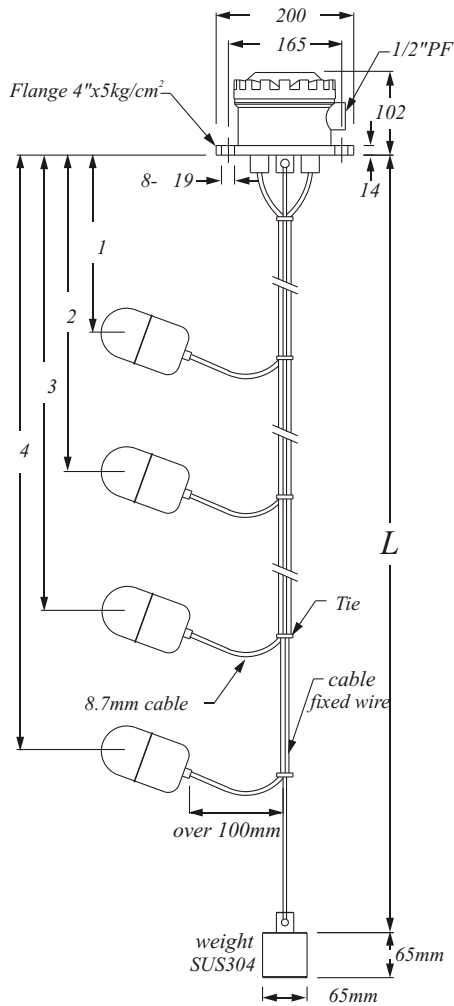
Various types of multi-point products can be selected depends on user's requirement.  
 For examples:  
 FB-B type is suitable for Corrosive liquid.  
 FB-A type is suitable for high temp liquid. (170 C )

## DISTANCES OF CONTROL POINT

	NO	NC
1: _____ mm	<input type="checkbox"/>	<input type="checkbox"/>
2: _____ mm	<input type="checkbox"/>	<input type="checkbox"/>
3: _____ mm	<input type="checkbox"/>	<input type="checkbox"/>
4: _____ mm	<input type="checkbox"/>	<input type="checkbox"/>
L: _____ mm		



**MODEL: FB A**



**MODEL: FB B**

